

Power Film Resistors

NIKKOHM

NIKKOHM Co., Ltd.

Office: 3rd fl., COSMO Bldg., 2-24-4 Nihonbashi Ningyo Cho Chuo Ku, Tokyo 103-0013 Japan

Phone: +81-03-3664-1391, Fax: +81-3-3664-5770, kishino-k@nikkohm.co.jp

Factory: 3-31-2640 Minami Cho Misawa Shi, Aomori 033-0036 Japan

Phone: +81-176-53-2105, Fax: +81-176-53-2106, kishino-k@nikkohm.co.jp

December 2014

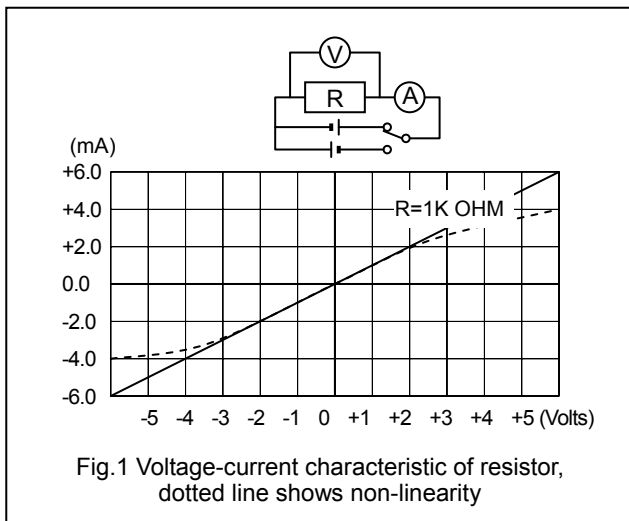


Capability Brochure, Power-Film Resistors, Series RNP, RPM, RPL

1. Electric Resistance

By applying either plus or minus voltage to the resistor and which causes electric current, the straight line characteristics of voltage and current such as Fig.1 are observed. The resistance of the resistor is 1K OHM if 5mA current is observed under the condition of 5V voltage applying. Resistor has a resistance value (unit :OHM). Resistance indicates the resistivity for electric current flow. Relation of resistance R (OHM) and voltage E (volt) and current I (Ampere) is shown as below.,

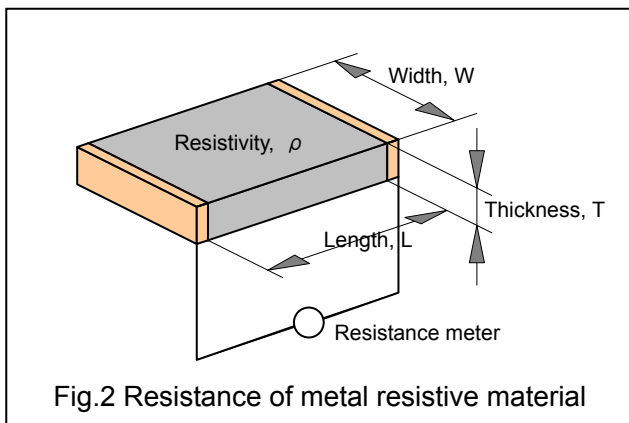
$$I = \frac{E}{R} (\text{Ampere})$$



In most of cases, the resistor is made with metal resistive materials which have resistivity ρ as peculiar properties of physical fixed number.

By cutting the board-shaped metal resistive material in Fig.2, resistance between the both sides of the resistive material is calculated as below.

$$R = \rho \frac{L}{W \times T} (\text{ohm})$$



By the calculation of resistance of the metal which is cut 10mm square with 0.1mm thickness, a resistance between the both side points of the metal is calculated as Table1.

Materials	Resistivity (ohm·m)	W (mm)	T (mm)	L (mm)	R (OHM)
Const.	0.49×10^{-6}	10	1mm	10	0.00049
Manganin	0.44×10^{-6}	10	1mm	10	0.00044
Ni-Cr	1.10×10^{-6}	10	1mm	10	0.0011
Ni-Cr	1.10×10^{-6}	10	1um	10	1.10
Ni-Cr	1.10×10^{-6}	10	0.1um	10	11.0
Ni-Cr	1.10×10^{-6}	10	0.01um	10	110.0

Table 1. 10mm x10mm area resistance

The resistance metal plate size 10mm x 10mm x 1mm can be used for milli-ohm level resistor, on the other hand the resistance metal less than 0.1um thickness can be used for thin film resistor.

As shown in Table1, the resistance of square type resistive material depends on only the thickness of resistive material, and that resistance is called as Area Resistance which is utilized for the parts product design. Area Resistance is utilized as an index value for the film thickness in both thin film resistor and thick film resistor.

2. Heating of resistor

By applying voltage E to resistor, current I flows through inside and Joule loss so called Electricity loss P is generated and becomes to heat.

Electric power P (W) is shown as below.

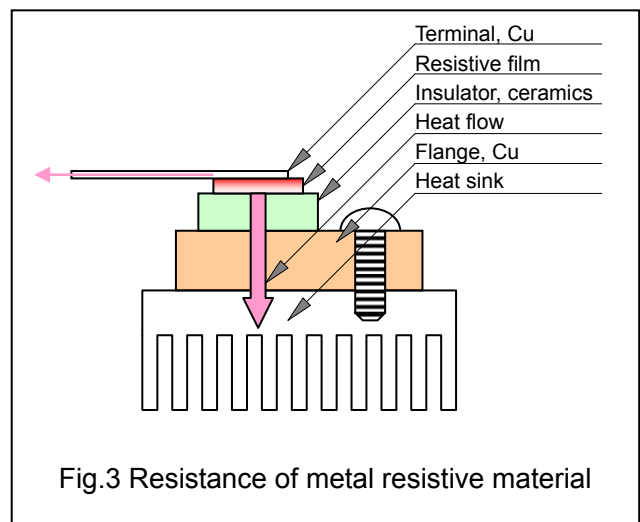
$$P = I \times E (W)$$

$$P = I^2 \times R (W)$$

$$P = \frac{E^2}{R} (W)$$

Heat of resistor is released to the air by air convection from metal surface or heat radiation in major resistor cases, however metal flange equipped resistor assists heat release through radiator in the case of power film resistor.

The structure and heat conduction of power film resistor is shown in Fig.3.



As shown in Fig.3, heat P(W) generated in resistor is partly released from the resistor through terminal, however major parts of heat is radiated from radiator (metal plate, aluminum board, aluminum block) through isolated ceramics (alumina board) and copper flange to the air. Performance of the power resistor is characterized by less thermal resistance between resistive material and flange. Alumina board and flange are connected by solder and which realize very small negligible thermal resistance. Thermal resistance of copper flange is also so small as to be negligible. Radiator has a capability of transmitting heat of flange to the air, and the thermal resistance is specified in data sheet for commercial resistor products, and which is inversely proportional to surface area of the radiator. Let's set thermal resistance between resistive material and flange as θ_{rf} , thermal resistance of radiator versus air as θ_h , and temperature of the air inside of the electronics equipment box as T_a , then temperature of resistive material T_r with electric power consumption P in the resistor is expressed as below.

$$T_r = (\theta_{rf} + \theta_h)P + T_a \leq 155 \text{ deg C (deg C)}$$

Rating power P_r is expressed as below, with considering P_r to give some safety margin under the condition of flange temperature at 25 degree, and set maximum operation temperature of resistive material as 155 degree.

$$P_r = \frac{(155 - 25)}{\theta_{rf}} (W)$$

Unit of thermal resistance is deg.C/W.

Table2 shows some specific thermal resistance which is between resistive material and flange in power resistor.

Type	Package	Heat Resistance
RNP-20D/E/F	TO263	3.3 (deg C/W)
RNP-10S	TO126	5.9 (deg C/W)
RNP-10	TO220	5.9 (deg C/W)
RNP-20S	TO220	3.3 (deg C/W)
RNP-50U	TO220	2.3 (deg C/W)
RNP-50S	TO247	1.3 (deg C/W)
RNP-80S	TO247	1.3 (deg C/W)
RNP-100S	TO247	0.9 (deg C/W)
RPM-200	SOT227	0.50 (deg C/W)
RPM-300	SOT227	0.32 (deg C/W)
RPL 300/310	---	0.32 (deg C/W)
RPM-600	SOT227	0.11 (deg C/W)
RPK-900	SOT227	0.10 (deg C/W)
RPL1200	---	0.10 (deg C/W)

TABLE 2. Heat Resistance, resistor-flange, Typical

3. Temperature rising of resistor

Temperature of all portion in resistor are started rising once voltage is started to apply for power resistor which equips radiator as shown in Fig.3. Fig.4 shows one specific measurement result of the temperature rising. Unlike to general air-cooling type resistor, flange power resistor which has less ability of heat conduction radiation from the surface of resistor, there is a linear shaped relation between applied voltage and temperature rising. Fig.4(a) shows the relation of temperature rising of flange

and resistive material which is inside of resistor, under the condition to use power resistor of 140W rating equipped on the radiator which thermal resistance is 0.2degC/W. By subtraction the rising temperature of radiator from the temperature rising of flange, temperature rising of resistive material are indicated which is based on a flange temperature.

The slope of the straight line indicates the cooling performance of the power resistor and thermal resistance between resistive material and flange which shows 0.9degC/W in Fig 4(b).

Maximum rating temperature of resistor is defined by the materials which consist of resistor, and which is 155 deg C for these power resistors, and derating curve can be provided by pulling straight line of the slope of thermal resistance from the point of maximum temperature rating as shown in Fig.4(c).

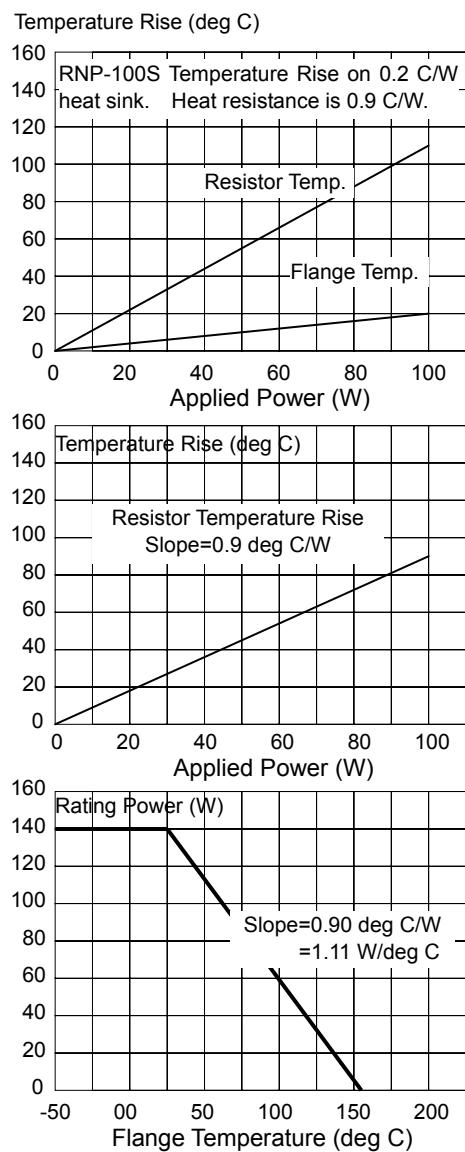


Fig 4. Temperature rise and power derating From upper, Fig 4(a)-(b)-(c)

4. Power derating of resistor

The power derating curve of resistor shown in Fig4(c) indicates the safety operation area with border line. In other words, temperature of resistive material in side of resistor reaches maximum temperature on the power derating curve. It is required to let power resistor operate under the condition not on the borderline but inside of the power derating curve which correspond to the use of load reduction, and which purpose is improvement of the apparatus operation reliability. Though load reduction depends on the design standard of each system designer, it may be common to set load reduction around 25% or 50%.

5. Resistance value

Measurement position of Resistance is just the point 5.0mm apart from the bottom end of mold area or painting area of resistor, then measurement is executed by using Resistance Meter and Kelvin Probe. Resistor values like 1.0 OHM or 10.0 OHM etc. are not used continuation value but used discrete valid value from the rational standardization point. Those valid values are prescribed in JISC5063, IEC60063, etc., and E12 or E24 series are used for power resistor. Nikkohm has used numerical values of IEC standard with addition of 2.5 or 5.0 value as shown in Table 3.

E6+	E12+	E24+	
1.0	1.0	1.0	3.3
1.5	1.2	1.1	3.6
2.2	1.5	1.2	3.9
3.3	1.8	1.3	4.3
4.7	2.2	1.5	4.7
6.8	2.7	1.6	(5.0)
	3.3	1.8	5.1
	3.9	2.0	5.6
	4.7	2.2	6.2
	(5.0)	2.4	6.8
	5.6	(2.5)	7.5
	6.8	2.7	8.2
	8.2	3.0	9.1

Table 3. E6+, E12+, E24+, Significant Figures.

power supply circuit, which resistor tolerance of $\pm 0.1\%$ is so much useful. In some case, "B" means $\pm 1\%$ and "F" means $\pm 5\%$, and it may be expressed like 0.1%, 1%, 5% without " \pm ".

6. Temperature coefficient of resistance

Since materials of resistor are metal or alloy in general and which utilize the metal electrical conduction characteristics, resistance tends to be affected by the temperature of resistive material and temperature of environment. Therefore once the environment temperature of extra precision type resistor like 1000 OHM ± 0.000 OHM, its resistance will be shifted from 1000 OHM. If the shift value of resistance in 1 deg C change is expressed in ratio, temperature dependence is 0.005%/deg C or 50ppm/deg C in power resistor. This temperature dependence is called temperature coefficient of resistance "TCR". Both tolerance of resistance and temperature coefficient of resistance adopt the expression in ratio, tolerance of resistance is expressed in % and temperature coefficient of resistance is expressed in ppm/deg C respectively for the purpose of minimize a digit targeted to reduce the mistake of expression. In the case of 2 terminals type power resistor, the same as another type resistors, the effect of copper lead for TCR (temperature coefficient of resistance) is not negligible, therefore TCR tends to be increased following to the low resistance as shown in Fig7.

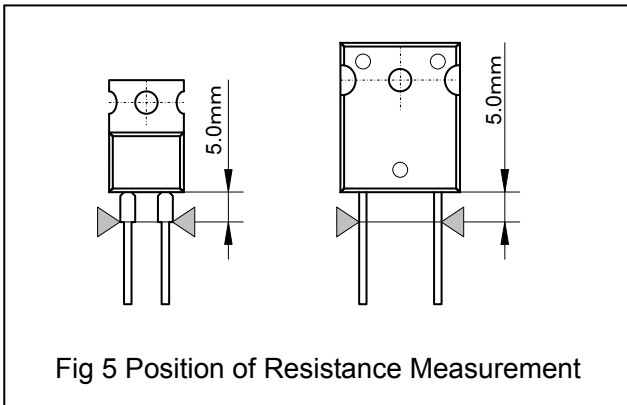


Fig 5 Position of Resistance Measurement



Fig 6 Kelvin Probe, Resistance Measurement

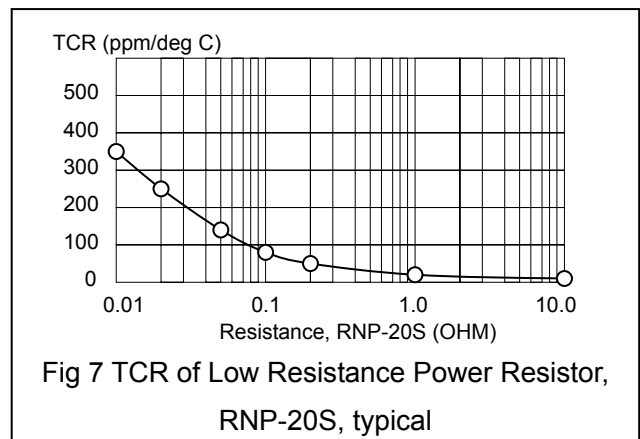


Fig 7 TCR of Low Resistance Power Resistor, RNP-20S, typical

7. Short time overload and pulse overload for power film resistor

Rigidness for the short time overload of power film resistor corresponds to power ratings, and the usage under that overload condition is strictly limited. Wire-wound resistor is specified to be used under the condition of short time overload which accepts 10 times higher than power ratings within 5 second. The reason of the above is because of the so large thermal capacity of the resistive material of wire-wound resistor than that of power film resistor. The short time overload characteristics within 0.1s to some seconds depends on the thermal time constant which is defined by both thermal capacity ($m \times C$) and thermal conduction (θ) of resistive material.

Let's calculate to obtain a temperature of resistive material after t second passed from the heat start period ($t=0$) with applied heat power W . Thermal capacity (C) is expressed as follows assuming specific heat (c) and mass (m).

$$C(J / K) = m(kg) \times c(J / kg \cdot K)$$

Time constant (τ) is expressed as follows by using thermal resistance (θ) between resistive materials and surroundings.

$$\tau = \theta(K / W) \times C(J / K) \dots \text{seconds}$$

Temperature rising value per time change ΔTt during the resistive material heated by electric power $P(W)$ is expressed as below.

$$\Delta Tt = \theta(K / W) \times P(W) \times |1 - e^{-t/\tau}| \dots \text{deg C}$$

Temperature falling value per time change ΔTt during cooling resistive material by releasing electric power is expressed as below,

$$\Delta Tt = \theta(K / W) \times P(W) \times |e^{-t/\tau}| \dots \text{deg C}$$

and which shows exponential function-like change.

To obtain the thermal capacity C of both power film resistor and metal clad wire wound resistor which power ratings is 100W and resistance is 10 OHM in each, wire wound thermal capacity is 65 times higher than that of power film resistor as shown in Table4.

Type	Power Film	Wire wound
P/N	RNP-50S	IRV100
Rated Power	100W	100W
Resistance (ohm)	10	10
Material	Ni-Cr	Ni-Cr
Specific Heat(J/kgK)	418	418
Mass (kg)	0.082×10^{-6}	5.3×10^{-3}
Heat Capacity (J/K)	0.000034	2.2

Table 4. Heat capacity of power film and wire wound resistors

Therefore it is desirable to adopt wire wound resistor to brake resistors for large sized motor, and to surge current control resistors for large power supply unit. In the case of applying pulse shorter than 100 micro second width to resistor, power film resistor has a capability to apply surge peak pulse which is exceeding Rating Power. Regarding pulse overload characteristics, there is rough expression

which is not related with the above but based on the examination result. The examination is executed by setting a criteria of pulse destruction of threshold as $\pm 1\%$ resistance change which is followed the pulse applying with specific constant period by using pulse generator shown in Fig 8. The result of pulse destruction examination is shown by dotted line and rough pulse rigidness is shown by solid line in Fig 9. Since the aspect of resistor destruction are different in each case of applying electric power either the constant current case or the constant voltage case, peak electric power needs to be limited lower than the rating power, or recommended to proceed enough reliability examination with confirmation before the equipment on circuit board.

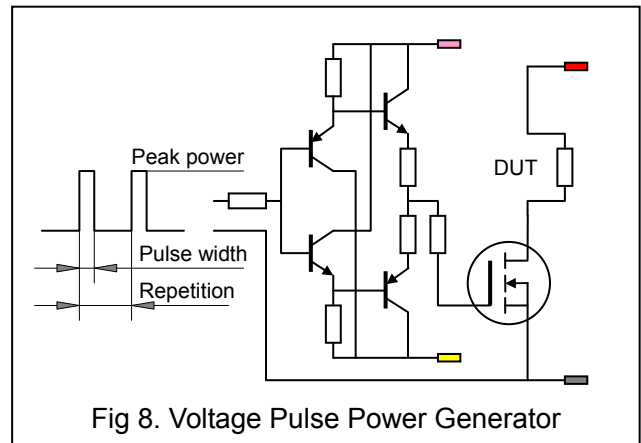


Fig 8. Voltage Pulse Power Generator

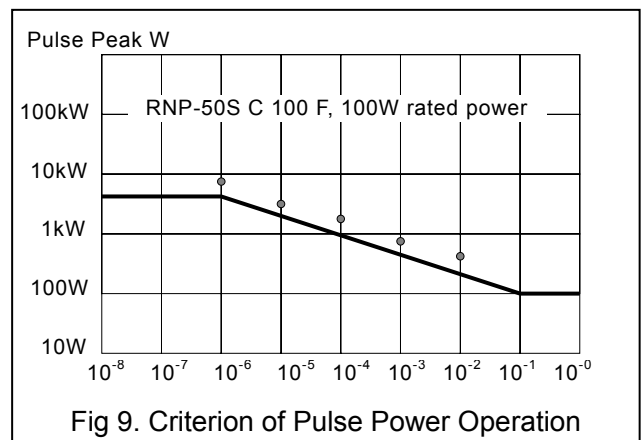


Fig 9. Criterion of Pulse Power Operation

8. Impedance frequency characteristics of power film resistor

Since power film resistor has a superior high frequency characteristics compare to the other resistors, power film resistor shows excellent characteristics in the pulse application circuit or high frequency circuit board which realizes wide frequency band and fast pulse rising time. In the case of alternating voltage application, there is a phase shift on sinusoidal wave in the relation of voltage and current from strict viewpoint, so impedance of resistor needs to be treated by both real number R and complex number Z . Impedance of power film resistor can be expressed by LCR equivalent circuit approximately, and which can express high frequency characteristics in specific band from DC to 1GHz. Both the equivalent parallel capacitance and equivalent series inductance of

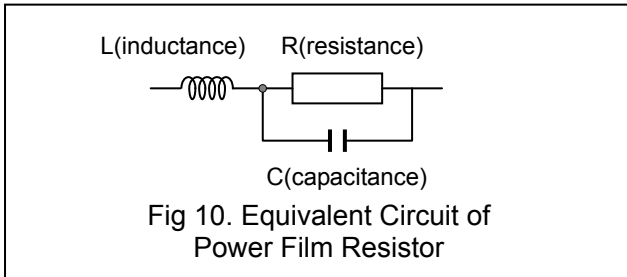
power film resistor are shown in Table5.

$$Z = \frac{R}{1 + \omega^2 R^2 C^2} + j \frac{(\omega L - \omega R^2 C + \omega^3 R^2 C^2 L)}{1 + \omega^2 R^2 C^2}$$

$$|Z| = \frac{\sqrt{R^2 + (\omega L - \omega R^2 C + \omega^3 R^2 C^2 L)^2}}{(1 + \omega^2 R^2 C^2)} \dots \text{ohm}$$

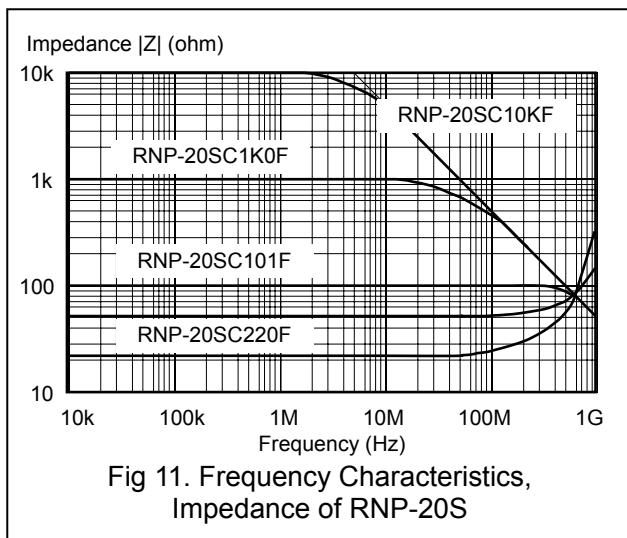
$$\theta = \tan^{-1} \left(\frac{\omega L - \omega R^2 C + \omega^3 R^2 C^2 L}{R} \right) \dots \text{radian}$$

The measurement result of TO220 power film resistor impedance characteristics is shown in Fig11. The characteristics show flat level from DC to 600MHz in the case of resistor 50 OHM through 200 OHM, and LC series resonance frequency can be observed at 700MHz.



Type	Package	C(pF)	L(nH)
RNP-20D/E/F	TO263	1.44	8.38
RNP-10S	TO126	1.00	8.22
RNP-10	TO220	1.15	8.38
RNP-20S	TO220	1.44	8.38
RNP-50U	TO220	1.69	9.65
RNP-50S	TO247	2.35	11.72
RNP-80S	TO247	2.35	11.72
RNP-100S	TO247	3.68	12.52
RPM-200	SOT227	13.10	13.67
RPM-300	SOT227	13.10	13.67
RPL 300/310	---	13.10	13.67
RPM-600	SOT227	13.10	13.67
RPK-900	SOT227	13.10	13.67
RPL1200	---	---	---

Table 5. Equivalent Capacitance and Inductance of Power Film Resistor



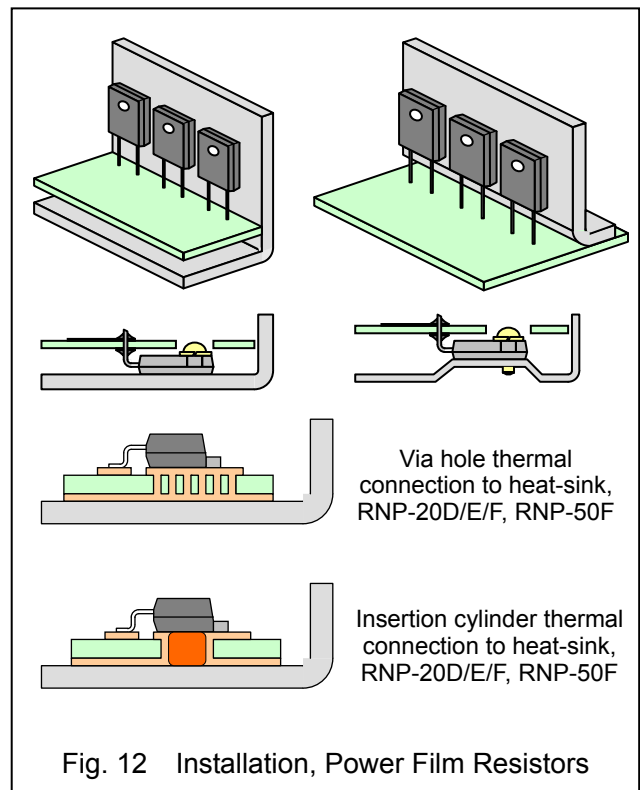
9. Implementation method of flange resistor

Implementation method of power film resistor which types are TO126, TO263, TO220, TO247 and SOT227 is explained as follows. Since metal flange for heat radiation of these all resistors which is isolated from resistive material and lead, there is no requirement for considering isolation (isolated heat radiation sheet) differs from transistor which equips exposed collector. Resistors TO126, TO220 and TO247 are connected with heat radiation plate or metal plate by clip or screw. Recommended torque of the screw is shown in Table6.

Type	Screw (mm)	Screw (inch)	Torque (Nxm)
RNP-10S	M3	No.4	0.6Nm
RNP-10	M3	No.4	0.6Nm
RNP-20S	M3	No.4	0.6Nm
RNP-50U	M3	No.4	0.6Nm
RNP-50S	M3	No.5	0.6Nm
RNP-80S	M3	No.5	0.6Nm
RNP-100S	M3	No.5	0.6Nm
RPM-200	M4	No.8	1.2Nm
RPM-300	M4	No.8	1.2Nm
RPL 300/310	M4	No.8	1.2Nm
RPM-600	M4	No.8	1.2Nm
RPK-900	M4	No.8	1.2Nm
RPL1200	M4	No.8	1.2Nm

Table 5. Equivalent Capacitance and Inductance of Power Film Resistor

Here are some implementation method of flange power film resistor shown in Fig.12. //



Legal Disclaimer

Nikkohm Co., Ltd.

ALL PRODUCT, PRODUCT SPECIFICATIONS AND DATA ARE SUBJECT TO CHANGE WITHOUT NOTICE TO IMPROVE RELIABILITY, FUNCTION OR DESIGN OR OTHERWISE.

Nikkohm Co., Ltd., its affiliates, agents, and employees, and all persons acting on its or their behalf (collectively, "Nikkohm"), disclaim any and all liability for any errors, inaccuracies or incompleteness contained in any datasheet or in any other disclosure relating to any product. Nikkohm makes no warranty, representation or guarantee regarding the suitability of the products for any particular purpose or the continuing production of any product. To the maximum extent permitted by applicable law, Nikkohm disclaims (a) any and all liability arising out of the application or use of any product, (b) any and all liability, including without limitation special, consequential or incidental damages, and (c) any and all implied warranties, including warranties of fitness for particular purpose, non-infringement and merchantability. Statements regarding the suitability of products for certain types of applications are based on Nikkohm's knowledge of typical requirements that are often placed on Nikkohm products in generic applications. Such statements are not binding statements about the suitability of products for a particular application. It is the customer's responsibility to validate that a particular product with the properties described in the product specification is suitable for use in a particular application. Parameters provided in datasheets and/or specifications may vary in different applications and performance may vary over time. All operating parameters, including typical parameters, must be validated for each customer application by the customer's technical experts. Product specifications do not expand or otherwise modify Nikkohm's terms and conditions of purchase, including but not limited to the warranty expressed therein. Except as expressly indicated in writing, Nikkohm products are not designed for use in medical, life-saving, or life-sustaining applications or for any other application in which the failure of the Nikkohm product could result in personal injury or death. Customers using or selling Nikkohm products not expressly indicated for use in such applications do so at their own risk. Please contact authorized Nikkohm personnel to obtain written terms and conditions regarding products designed for such applications. No license, express or implied, by estoppel or otherwise, to any intellectual property rights is granted by this document or by any conduct of Nikkohm. Product names and markings noted herein may be trademarks of their respective owners.

Material Category Policy

Nikkohm hereby certifies that all its products that are identified as RoHS-Compliant fulfill the definitions and restrictions defined under Directive 2011/65/EU of The European Parliament and of the Council

Security Trade Control

Under Japan Export Trade Control Law and Japan Foreign Exchange Control Law, Nikkohm can certificate a category on individual products depend on the a List Regulation, but customer must provide for a Catch All Regulations.

//

法的免責

ニッコーム株式会社

すべての製品、製品仕様およびデータ等は、信頼性、機能、デザインを改善するために予告なしに変更します。

ニッコーム株式会社、その関連会社、特約店、従業員、およびニッコームの業務に従事するすべての人は、（以下、総称して、ニッコームと言います）、製品に関するすべての仕様書・データシートと製品に関する開示物とに含まれるすべての誤植、不正確な表現、または不完全な表現に起因する要求については、責任を負いません。ニッコームは、いかなる特定の目的のための製品の適合性と、製品の供給の継続に関して、いかなる期限付き保証あるいは品質性能保証を行いません。

適用される法律によって許容される最大範囲まで、ニッコームは、(a) 製品の用途や使用方法に対する一切の責任、(b) 特殊な、必然的なまたは偶発的な故障に起因した損害に対する一切の責任、(c) さまざまな特定の用途への適合性、非侵害性および製品の適合性の保証を含む暗黙の保証に対する一切の保証、については責任を負いません。

特定の種類の製品の用途への適合性に関する記述は、多くの場合一般的な使用方法であって、製品から得られる代表的なニッコームの知見に基づいています。このような記述は、お客様の特定用途向けの製品の適合性についての表現を包含するものではありません。仕様書・データシートに記載された特性を有する製品が、特定の用途に適しているか否か、検証することはお客様の責任です。仕様書・データシートで提供する仕様数値は、用途が異なる場合は変化することがありますし、性能が経時的に変化することがあります。代表的な仕様数値と動作時の数値は、お客様の技術的見解に基づいてそれぞれのお客様の用途ごとにお客様が検証する必要があります。製品仕様とその期限付き保証は、ニッコームの取引条件の条項の変更によって拡大解釈あるいは変更することはできません。

書面に示されている場合を除き、ニッコーム製品は、医療、救命、または生命維持関係のアプリケーションで使用するために設計されていませんし、またニッコーム製品は、その製品の故障が身体傷害や死亡事故につながるおそれのある用途向けには設計されていません。

お客様ご自身で使用するか、または明示的にそのような用途に使用することが示されていないニッコーム製品を販売するお客様は、自らの責任で使用・販売を行ってください。

上記のような特殊な用途のために設計されたニッコーム製品に関する文書による契約条件を入手される場合にはニッコームの正式な担当者にお問い合わせください。

知的財産権へのいかなる明示または暗黙的な表現があったとしても、この文書によって、ニッコームが明示的または暗黙の権利許諾をするものではありません。このデータシートで使用されている品目番号、製品捺印は所有権を有する者の商標である場合があります。

材質仕様

ニッコームは、ここで RoHS 準拠として表記したすべての製品は、RoHS Directive 2011/65/EU に適合し、それ以外の製品は、非準拠です。製品を構成する物質を化学的に分析する要望については、有償で承ることができ、ニッコームの正式な担当者にお問い合わせください。

安全保障貿易管理

輸出貿易管理令ならびに外国為替管理令に規定される個別の製品の管理令該非判定書は、リスト規制についてはご要望に基づいてニッコームが提供できますが、キャッチオール規制については、それぞれのお客様がご自身で判定されるようにしてください。

//