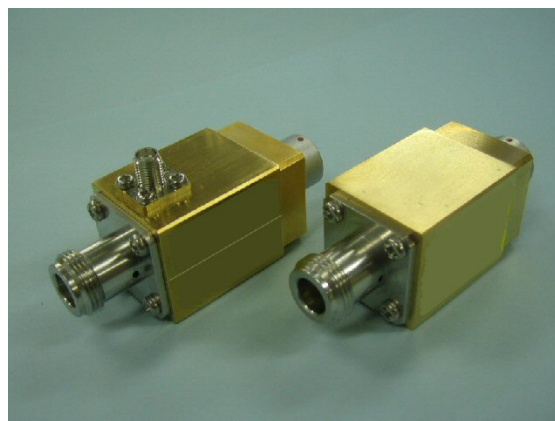


MEASUREMENT – NIKKOHM

AC-DC THERMAL VOLTAGE CONVERTER CASE KIT TVCC



Features and Applications

A kit of containing metal chassis, N-connectors (P or R), SMA connector, LEMO-3 pins connector, circuit boards and screws for assembling TVC04, TVC05 or TVC06.

The Kit does not contain JSTC, wires and name plate.

Material of metal case is Au plated brass.

Ordering Information and Parts

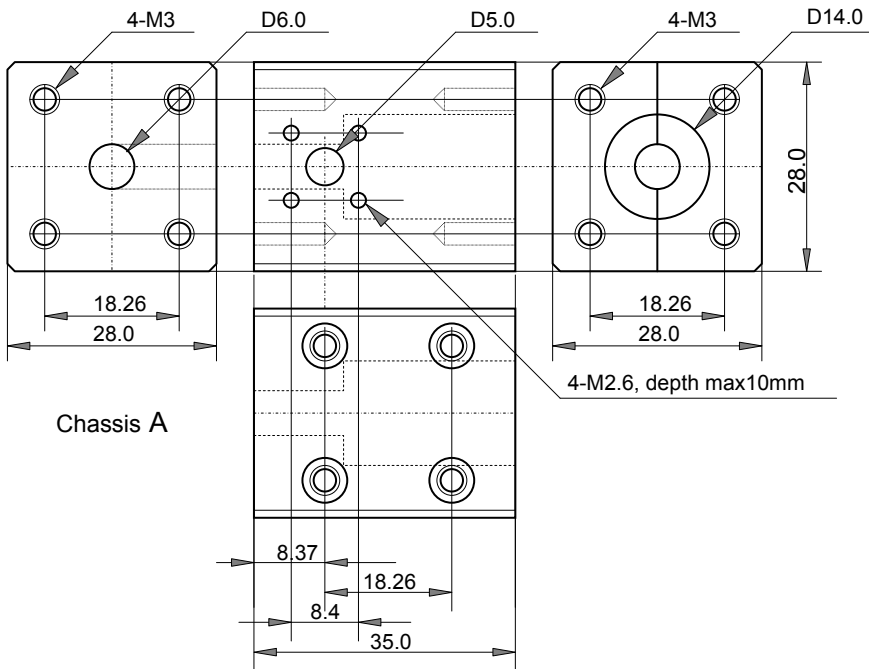
Ordering P/N	TVCC04AR	TVCC05BR	TVCC06AR	TVCC06BR
Input Connector, N	SUHNER N-R	SUHNER N-R	SUHNER N-R	SUHNER N-R
Input Connector, SMA	SMA HIROSE HRM-300-60S	---	SMA HIROSE HRM-300-60S	---
Output Connector	LEMO 3pin	LEMO 3pin	LEMO 3pin	LEMO 3pin
Circuit Board	PCB04	PCB05	PCB06	PCB06
Chassis	Chassis A	Chassis B	Chassis A	Chassis B
Screws, M2.6-6mm	4	---	4	---
Screws, M3-16mm	4	4	4	4
Screws, M3-8mm	4	4	4	4
Screws, M3-12mm	4	4	4	4
Screws, M2-4mm	4	4	4	4
Wires	---	---	---	---
T-C Element	---	---	---	---
Capacitor	10pF	10pF	10pF	10pF
Resistor	[1608]-560Ohm-J	[1608]-560Ohm-J	[1608]-560Ohm-J	[1608]-560Ohm-J
Remarks				

Ordering P/N	TVCC04AP	TVCC05BP	TVCC06AP	TVCC06BP
Input Connector, N	SUHNER N-P	SUHNER N-P	SUHNER N-P	SUHNER N-P
Input Connector, SMA	SMA HIROSE HRM-300-60S	---	SMA HIROSE HRM-300-60S	---
Output Connector	LEMO 3pin	LEMO 3pin	LEMO 3pin	LEMO 3pin
Circuit Board	PCB04	PCB05	PCB06	PCB06
Chassis	Chassis A	Chassis B	Chassis A	Chassis B
Screws, M2.6-6mm	4	---	4	---
Screws, M3-16mm	4	4	4	4
Screws, M3-8mm	4	4	4	4
Screws, M3-12mm	4	4	4	4
Screws, M2-4mm	4	4	4	4
Wires	---	---	---	---
T-C Element	---	---	---	---
Capacitor	10pF	10pF	10pF	10pF
Resistor	[1608]-560Ohm-J	[1608]-560Ohm-J	[1608]-560Ohm-J	[1608]-560Ohm-J
Remarks				

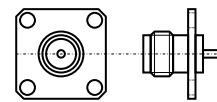
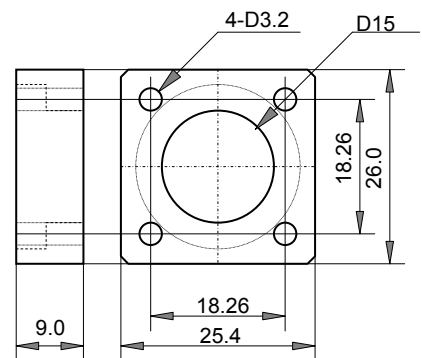
Note: "----" shows not included.

AC-DC THERMAL VOLTAGE CONVERTER CASE KIT

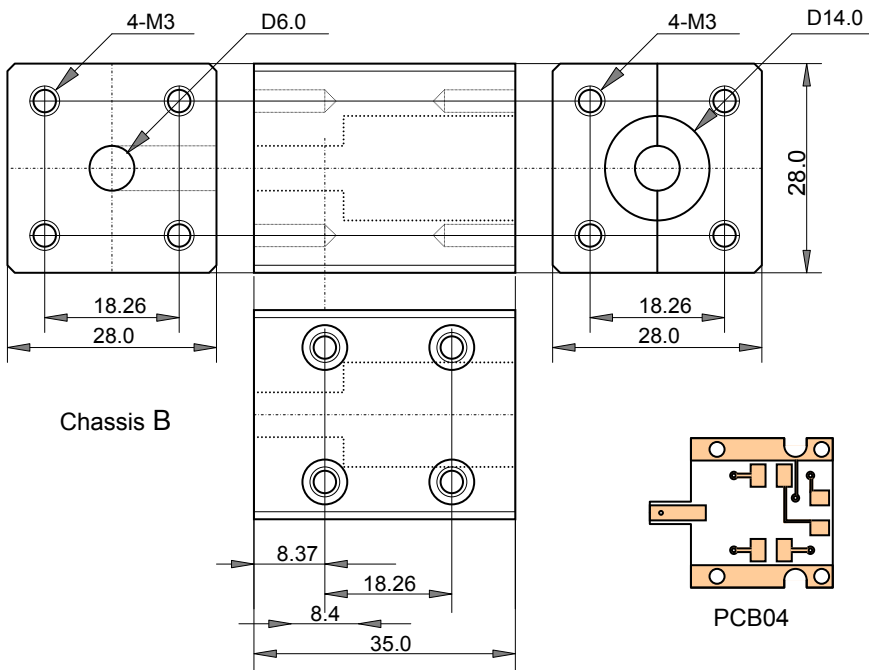
TVCC



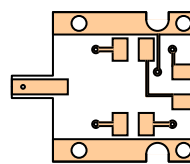
Chassis A



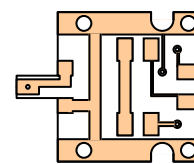
AC INPUT
SMA HIROSE HRM-300-60S



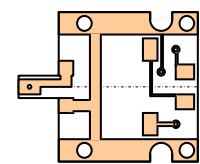
Chassis B



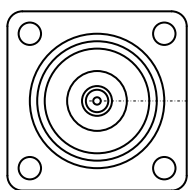
PCB04



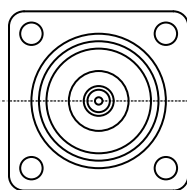
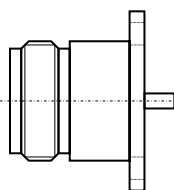
PCB05



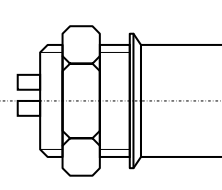
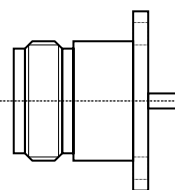
PCB06



AC INPUT
SUHNER N-R_23N_50-0-23/133NE



AC INPUT
SUHNER N-P_13N_50-0-33/133NE



DC OUTPUT
LEMO 3pin EHG.2B.303.CLL

