

PRECISION CURRENT SHUNT RESISTORS

RSN



Features and Applications

1A-50mV to 500A-50mv, 1A-100mV to 500A-100mV, +/-0.1% shunt resistors for power electric equipment and measurements.

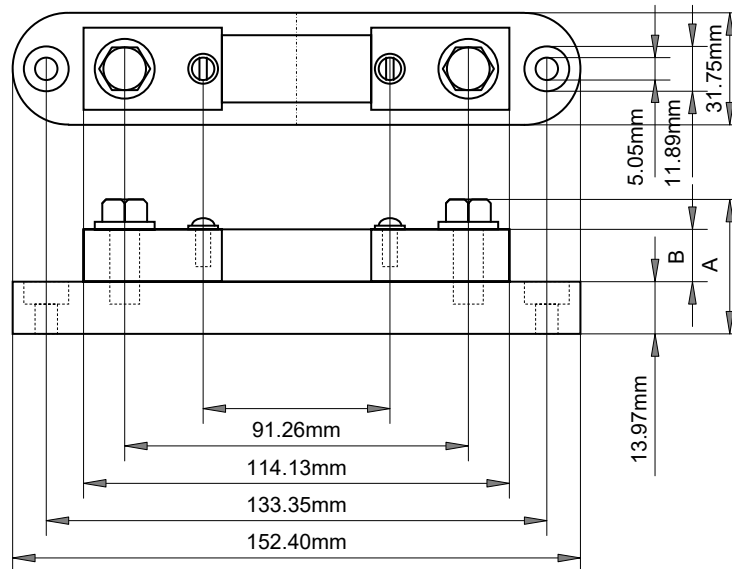
Manganin alloys produce excellent TCR and low emf.

Easy current measurement is performed by attaching to current bus or wires and connecting to ampere-meter through flexible wires.

All of shunts are calibrated on equipment with current certifications traceable to US-N.I.S.T

For high precision power supply, power converters, and current measurement instruments.

Dimensions (mm)



50mV MODEL	A	B
RSN-1-50	35.05	12.7
RSN-2-50	35.05	12.7
RSN-5-50	35.05	12.7
RSN-10-50	35.05	12.7
RSN-20-50	35.05	12.7
RSN-50-50	35.05	12.7
RSN-100-50	35.05	12.7
RSN-150-50	35.05	12.7
RSN-200-50	35.05	12.7
RSN-250-50	41.40	19.05
RSN-300-50	41.40	19.05
RSN-400-50	41.40	19.05
RSN-500-50	41.40	19.05

100mV MODEL	A	B
RSN-1-100	35.05	12.7
RSN-2-100	35.05	12.7
RSN-5-100	35.05	12.7
RSN-10-100	35.05	12.7
RSN-20-100	35.05	12.7
RSN-50-100	35.05	12.7
RSN-100-100	35.05	12.7
RSN-150-100	35.05	12.7
RSN-200-100	35.05	12.7
RSN-250-100	35.05	12.7
RSN-300-100	35.05	12.7
RSN-400-100	41.40	19.05
RSN-500-100	41.40	19.05

PRECISION CURRENT SHUNT RESISTORS

RSN

Ordering Information

Model	Rating Current in A	Voltage in mV	Tolerance	Code
RSN	-200	-50mV	B	Z00
RSN	1 - 500 (1)	-50mV -100mV	B (+/-0.1%)	Z00

(1) Recommended operation current shall be 2/3 of their rated current.

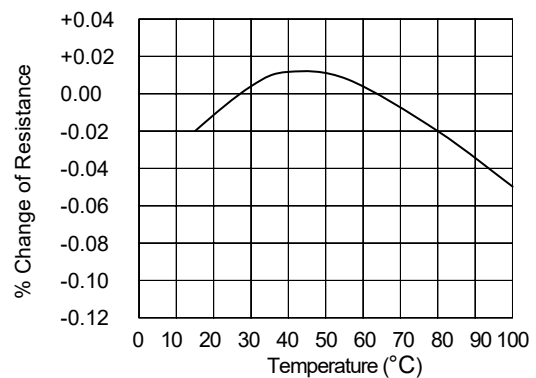
Specifications

Specifications				
Model	Rated Current (A)	Operating Current (A)	Resistance (mΩ) 50mV Output	Resistance (mΩ) 100mV Output
RSN-1	1	0.667	50	100
RSN-2	2	1.33	25	50
RSN-5	5	3.33	10	20
RSN-10	10	6.67	5.0	10
RSN-20	20	13.33	2.5	5.0
RSN-50	50	33.33	1.0	2.0
RSN-100	100	66.67	0.5	1.0
RSN-150	150	100	0.333	0.667
RSN-200	200	133.33	0.25	0.50
RSN-250	250	166.67	0.20	0.40
RSN-300	300	200	0.167	0.333
RSN-400	400	266.67	0.125	0.25
RSN-500	500	333.33	0.10	0.20

Specifications

	Specifications
Rated Output	50mV, 100mV, Custom
Voltage Tolerance	+/-0.1%
Operating Temp.	30°C to 70°C
Storage Temp.	-55°C to 80°C
Materials	Resistance: Manganin Terminal Block: Brass Base: Phenol Resin

Manganin Temperature Coefficient of Resistance +/-15ppm/°C



Operating Current Derating: For continuous operation, it is recommended that shunts are not run at more than two third (2/3) the rated current under normal conditions per IEEE standard of DC instrument shunts. At ambient temperature above 40 C, the current must be further derated to prevent damage.