

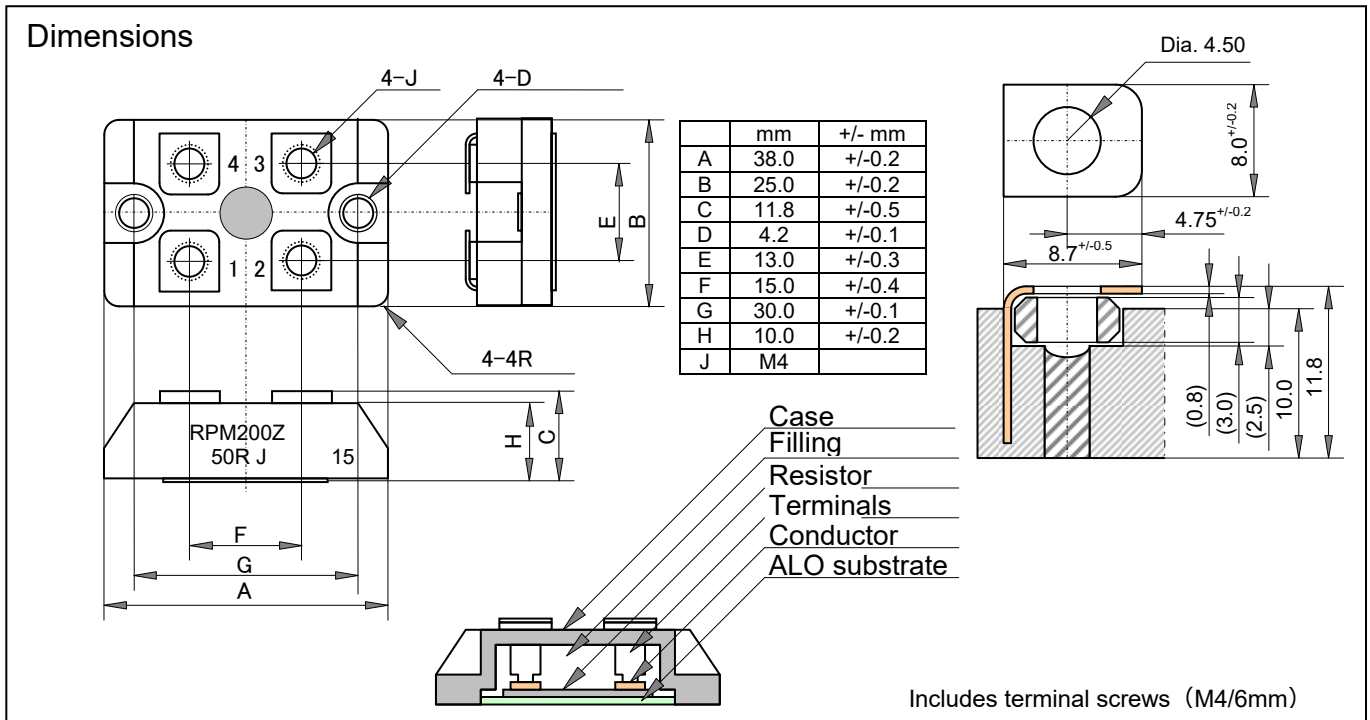
200W

CHASSIS MOUNTING NON-INDUCTIVE
HIGH POWER RESISTORS
RPM150, RPM200

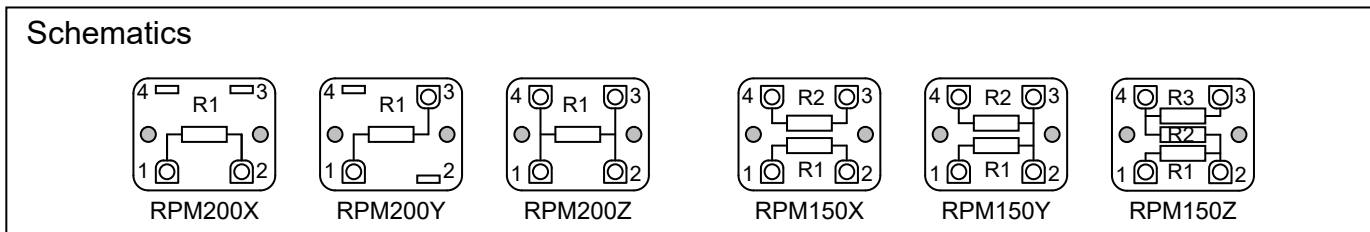


Features and Applications

- Small size SOT227, light weight, 200W high power resistor install on air-cooled heat sink or water-cooling is necessary.
- Completely resin filled structure provides high insulation voltage between heat-sink / resistor and partial discharge performance, long-life stable operation.
- 2.5 kV insulation voltage is standard and 4.0 kV insulation is available in option.
- Various 6 types of circuit configuration gives ease customer's applications.
- Very low series inductance and parallel capacitance make wide frequency range operation.
- Applications include snubber resistors, filter resistors, bleeder resistor, current detect for automotive electronics and many types of power electronics as UPS, power supply, professional audio.



Note: The depth of the screw hole is about 4.3mm from the surface of the terminal plate.



**RPM150, RPM200
CHASSIS MOUNTING NON-INDUCTIVE HIGH POWER RESISTORS**

Ordering Information

Type RPM200	Terminal Connection (**) Z	Resistance 101 (*)	Tolerance J	RoHS Z03	Package (20pcs/tube)
RPM150	X	+E12	J (5%)	Z	
RPM200	Y	R1=R2=R3		(RoHS2)	
	Z				

(*) When a network circuit configuration contains two resistors, ordering is RPM150X101JZ00.

(**) Terminal screws provide in standard, M4-5mmL only. If the screws are not necessary, please mention about it on the order sheet.

(***) When ordering of the optional 4KV insulation, please specify P/N as RPM200X4KV 101JZ00.

Specifications and Performances

	RPM150	RPM200	Conditions
Rating Power	150 W	200W	At flange temp. -55°C to +85°C
Configuration	XYZ	XYZ	
Weight	20.0gr	20.0gr	
Thermal Resistance.	0.35 °C /W	0.35 °C /W	
Single or Dual Configuration	More than one		Same resistance, R1= R2= R3
Resistance Range	0.1 ohm to 1Mohm		RPM200Z 0.1Ω -1.0Ω, 1% option, please see Note 5
Resistance	E12+		Additionally, 2.5 and 5.0.
TCR	+/-100 ppm/°C		For -55°C to +125°C, typical, over10 ohm
Tolerance	+/-5%(J)		1% option
Operation Temp.	-55 - +155 °C		At resistor element surface
Max. Voltage	Less than $E = \sqrt{P \cdot R}$ or 1000V		
Max. Current	100A		
Insulation Voltage	2500 VAC / 4000VAC		60 seconds. 4KVAC optionally available
Capacitance between terminals	13.1pF		typical
Inductance	13.7nH		typical
Load Life	+/-1.0 %		25C, 90 min. ON, 30min. OFF, 1000h.
Humidity	+/-1.0 %		40C, 90 to 95%RH, DC0.1W, 1000h.
Tem. Cycle	+/-1.0 %		Note 1
Short Time Over Load	Rated Power		Note 2
Insulation	Over 1000 Meg Ω		Between terminals and heat-sink.
Vibration	+/-0.25 %		Note 4
Flammability	UL94V-0		
Weight	20.0 grams		

Note1: -55°C, 30 min., +120 °C 30min., 20 cycles.

Note2: Several seconds overload can not be applied.

Note3: Torque: Terminal 1.0Nm max, 0.6Nm recommend. Mounting 1.6Nm max, 1.0Nm recommend.

Note 4: IEC60068-2-6, displacement 0.75mm or acceleration 100m/sec², 10Hz-54Hz sweep, 10 cycles X-Y-Z direction.

Note 5. When option 1% tolerance at range 0.1Ohm to 1 Ohm is necessary, Kelvin style connection of RPM200Z would be recommended

