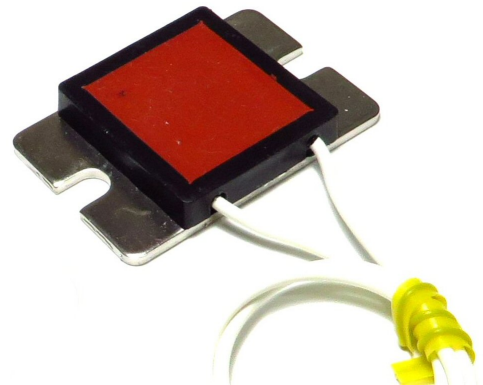


300W
CHASSIS MOUNTING NON-INDUCTIVE
FLAT TYPE HIGH POWER RESISTORS

RPL320



Features and Applications

Flat type, 300W high power resistor. Attaching an air-cooled heat sink or water-cooling necessary.

Rated power is 300W (one element).

Custom resistance and power resistor network available.

Higher density packing, vibration-proof, insulation withstand voltage and perfect heat dissipation possible.

Applications include snubber resistors, surge protection, breeder resistor, filter resistor, dummy load, gate resistor, dumping resistor for power electronics, automotive electronics, pulse generators, high frequency amplifiers, theater audio equipment, etc.

Note: RPL310 was alternated by RPL320.

Dimensions

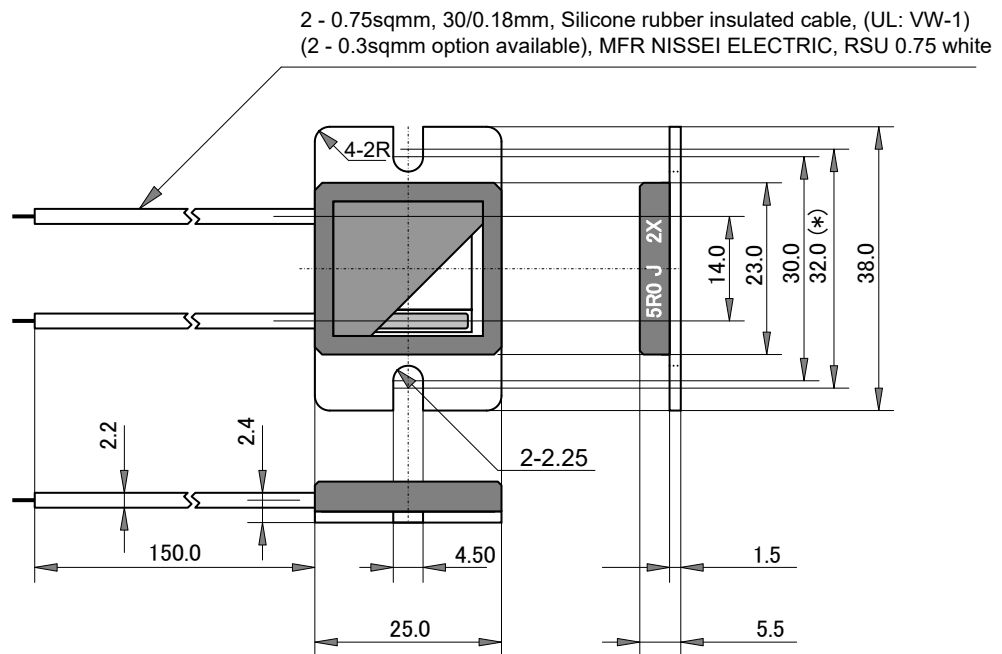


Figure 1. Dimension and Marking (mm)

* M4 for mounting screw.

300W

RPL320

CHASSIS MOUNTING NON-INDUCTIVE FLAT TYPE HIGH POWER RESISTORS

Ordering Information

Type RPL320	TCR A	Resistance 10R	Tolerance J	Code Z05	Note Please note optional '5kVAC'
RPL320 RPL320-5KV	100ppm	10R E24+ (*)	J (5%)	Z05	RoHS (Z), (05) tray package

(*) Recommend resistance value, when request for optional resistance please call factory.

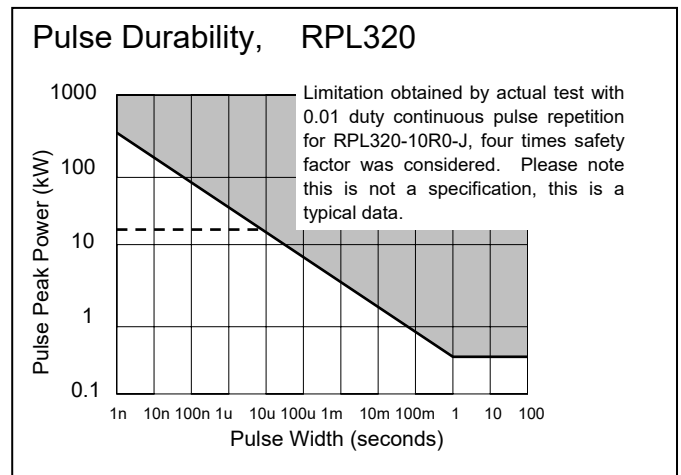
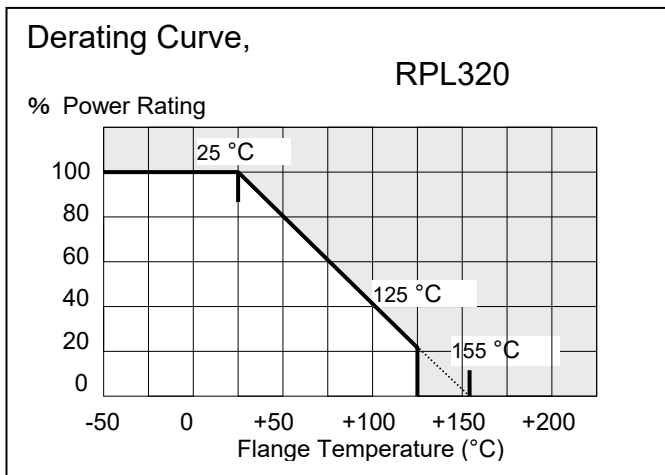
1.0	1.1	1.2	1.3	1.5	1.6	1.8	2.0	2.2	2.4	2.5	2.7	3.0	3.3
3.6	3.9	4.0	4.3	4.7	5.0	5.1	5.6	6.2	6.8	7.5	8.0	8.2	9.1

Specifications and Performances

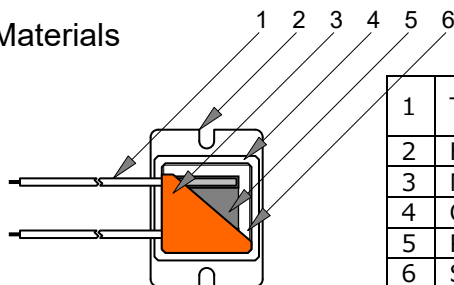
Items	Specifications	Conditions
Rating Power	300 W	At flange temperature -55 to +25 deg C
Heat Resistance	0.23 °C/W	From resistor to flange
Resistance Range	0.1 ohm to 51K ohm	0.1ohm to 0.82 ohm, option
Nominal Resistance	E24+	Additionally, 2.0 and 5.0.
TCR	+/-100 ppm/K (A)	For -55 to +155 °C, exclude wire leads
Tolerance	+/-5% (J)	
Operation Temp.	-55 to +155 deg C	At resistor element surface
Limiting Voltage	2000V / $\sqrt{P \times R}$	Less than either 2000V or $\sqrt{P \times R}$, between terminals
Withstanding Voltage	2k VAC	60 seconds between terminals and flange. Leak current below 0.5mA
Load Life	dR+/-1.0 %	Continuous power 1000 hours.
Humidity	dR+/-1.0 %	60 °C, 90 to 95%RH, DC0.1W, 1000hours.
Temperature Cycle	dR+/-1.0 %	-55 °C, 30 min., +155 °C 30min., 5 cycles. (-40+125, 1200cycles)
Insulation Resistance	Over 1000 Meg ohm	Between terminals and flange.
Vibration	dR+/-0.5 %	Note 2
Flammability	UL94V-0	For resistor body
Weight	20 grams	May be changed by lead length.
Storage Temp. Range	-55°C - +70°C	

Note 1: Torque: Mounting 1.6Nm max, 1.0Nm recommend.

Note 2: IEC60068-2-6, displacement 0.75mm or acceleration 100m/sec², 10Hz-54Hz sweep, 10 cycles X-Y-Z direction.



Materials



1	Terminals	Silicone insulated wires. 2-0.75sqmm, 30/0.18mm, Silicone rubber insulated cable, UL:VW-1 (or 2-0.30sqmm)
2	Flange	Ni plated copper plate.
3	Mold	Silicone rubber insulator
4	Case	Epoxy side wall
5	Resistor	Metal film resistor
6	Substrate	Al2O3 alumina substrate