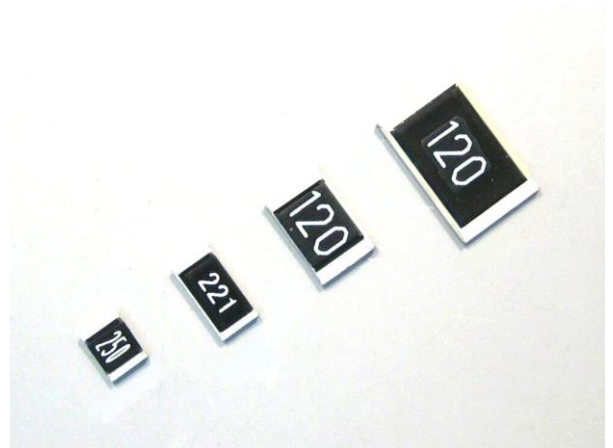


1/4W, 1/2W, 1W, 2W Power Chip Resistors

RPC14 (1/4W), RPC12 (1/2W),  
RPC1 (1W), RPC3 (2W)



Features and Applications

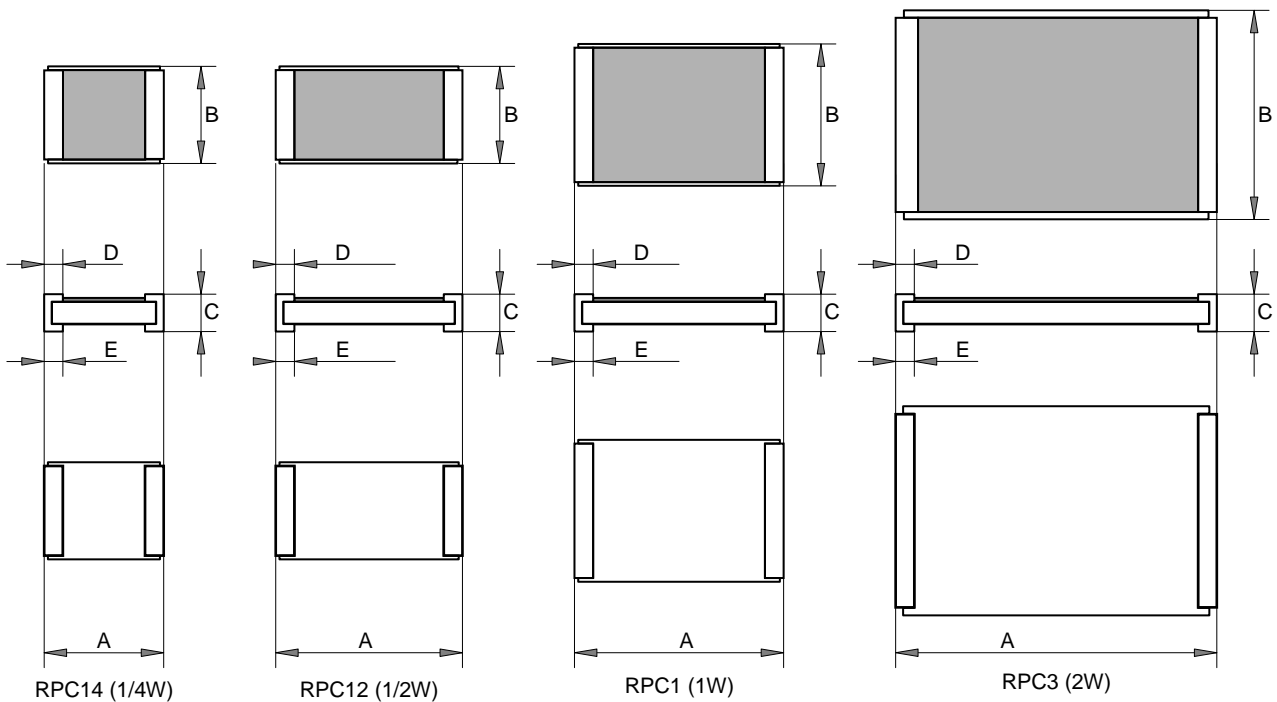
Thin film precision chip resistor, 25ppm/°C TC and 0.1% tolerance standard.

Up to 2W rated power will be realized sufficient derating design.

Ni-Cr resistor film deposited on alumina ceramic substrate makes wide temperature range operation.

Industrial measurement, computer, control electronics and ATE.

Dimension Specifications (mm)



Type	RPC14	RPC12	RPC1	RPC3
A (mm)	3.2	5.0	5.7	8.5
B (mm)	2.6	2.5	3.8	5.5
C (mm)	0.7	0.7	0.7	0.7
D (mm)	0.5	0.5	0.5	0.5
E (mm)	0.5	0.5	0.5	0.5

Note: Old p/n changed, such as RPC21 to RPC3.

1/4W, 1/2W, 1W, 2W Power Chip Resistors  
 RPC14 (1/4W), RPC12 (1/2W), RPC1 (1W), RPC3 (2W)

Ordering Information

RPC12	E	100Kohm	B	Z01	Note
RPC14	E (25ppm/K)	E96+	B (0.1%)	Z01	Tape/2000pcs
RPC12	C (50ppm/K)	E24+	F (1.0%)		
RPC1					
RPC3					

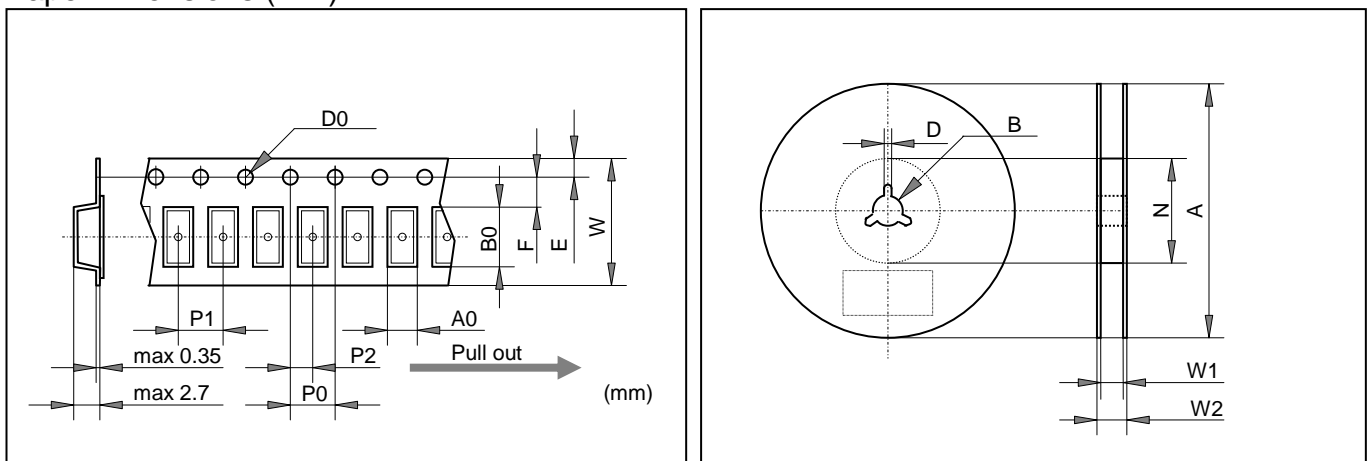
Specifications

Power Rating	RPC14, 1/4W	RPC12, 1/2W	RPC1, 1W	RPC3, 2W
TCR	25ppm(E)	25ppm(E)	25ppm(E)	25ppm(E)
Tolerance	0.1%(B)	0.1%(B)	0.1%(B)	0.1%(B)
Resistance	100-51KΩ	100-51KΩ	100-100KΩ	100-100KΩ
Resistance	E96, E24+	E96, E24+	E96, E24+	E96, E24+
Working Voltages	100VDC or $E = \sqrt{P \cdot R}$			
Operating Temp.	-55 to +155 °C			
Storage Temp.	-55 to +155 °C			

Power Rating	RPC14, 1/4W	RPC12, 1/2W	RPC1, 1W	RPC3, 2W
TCR	50ppm(C)	50ppm(C)	50ppm(C)	50ppm(C)
Tolerance	1%(F)	1%(F)	1%(F)	1%(F)
Resistance	10-200KΩ	10-200KΩ	10-1MΩ	10-1MΩ
Resistance	E24+	E24+	E24+	E24+
Working Voltages	100VDC or $E = \sqrt{P \cdot R}$			
Operating Temp.	-55 to +155 °C			
Storage Temp.	-55 to +155 °C			

Note: Please request reliability specifications for RPC to factory.

Tape Dimensions (mm)



Tape (mm)

Type	A0	B0	W	F	E	P1	P2	P0	D0
RPC14	2.8+/-0.2	3.9+/-0.2	8.0+/-0.3	5.5+/- 005	1.75+/- 0.1	4.0+/- 0.1	2.0+/- 0.05	4.0+/- 0.1	D 1.5+/- 0.1
RPC12	3.45+/- 0.2	5.1+/- 0.2	8.0+/- 0.3	5.5+/- 005	1.75+/- 0.1	8.0+/- 0.1	2.0+/- 0.05	4.0+/- 0.1	D 1.5+/-0.1

Reel (mm)

Type	A	N	B	D	W1	W2	Qty/reel
RPC14	D 178+/- 0.2	Min .D 60	dia13+/- 0.5	2+/- 05	12.4+/- 2.0	Max.18.4	2000pcs
RPC12	D 254+/-0.2	Min. D 80	dia13+/- 0.5	2+/- 05	12.4+/- 2.0	Max.18.4	2000pcs

Note: Please request taping dimensional specification of RPC1 and RPC3 to factory.