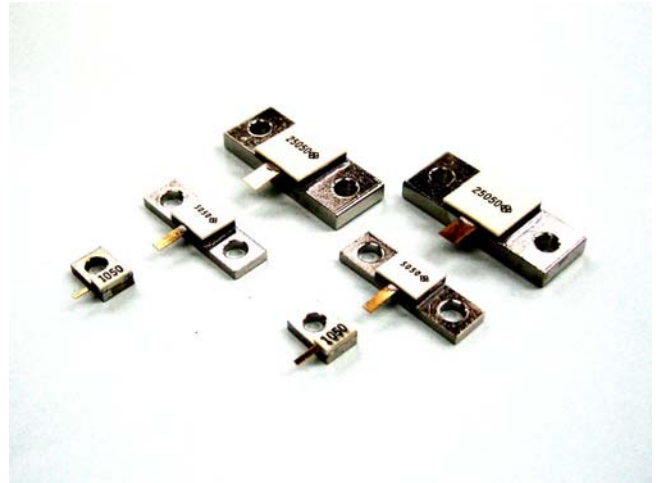


FLANGED TERMINATIONS

RFTF



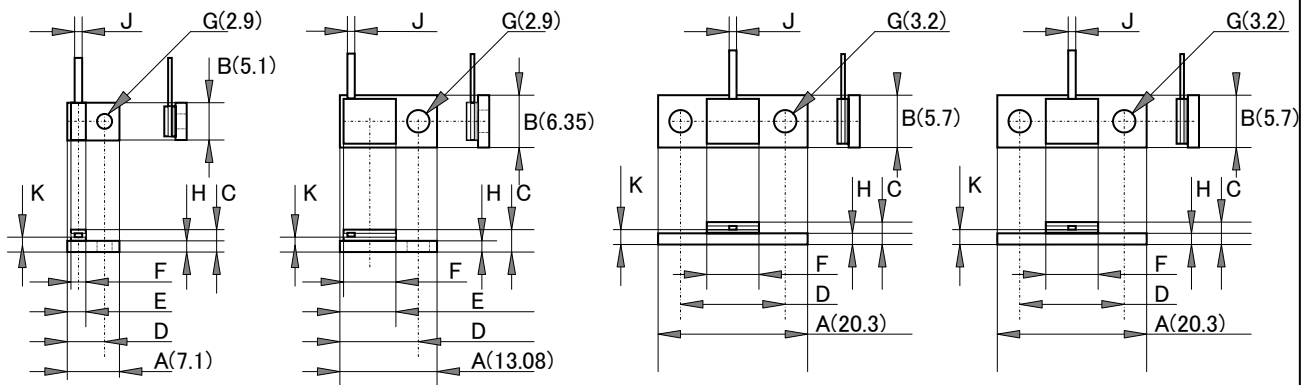
Features and Applications

RF and microwave termination of 50ohm with flange cooling.

Low return loss, long life and temperature stability a result of Ni-Cr thin film and super heat conductive ceramic substrates.

Industrial RF power sources, RF amplifiers, radio transmitters, fixed transmitter of mobile systems, and measurements.

Dimensions (mm)

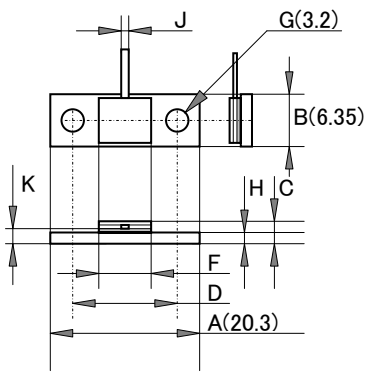


RFTF10(Y)

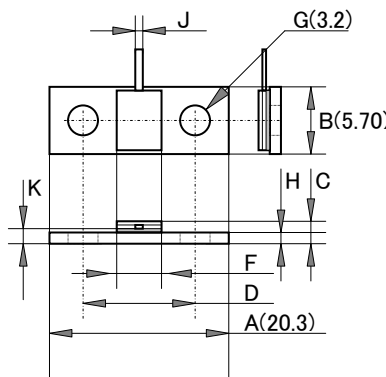
RFTF40(Y)

RFTF50

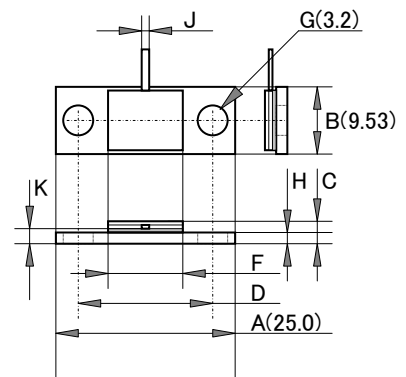
RFTF100



RFTF120



RFTF150



RFTF250

All lead length: 5.08mm and lead thickness: 0.1mm.

## FLANGED POWER TERMINATIONS

## RFTF

Dimensions (mm)

Type	A	B	C	D	E	F	G	H	J	K
RFTF10	7.6	5.10	3.1	5.00	2.5	2.5	2.9	1.5	0.8	2.7
RFTF40	13.0	6.35	3.1	9.90	6.3	6.3	2.9	1.5	0.8	2.7
RFTF50	20.3	5.70	3.1	14.20	-	8.5	3.2	1.5	1.5	2.7
RFTF100	20.3	5.70	3.1	14.20	-	6.3	3.2	1.5	1.5	2.6
RFTF120	20.3	6.35	3.1	14.20	-	8.9	3.2	1.5	0.8	2.6
RFTF150	20.3	5.70	3.1	14.20	-	8.5	3.2	1.5	1.5	2.6
RFTF250	25.0	9.53	4.6	18.42	-	9.6	3.2	3.0	3.0	4.1

### Ordering Information

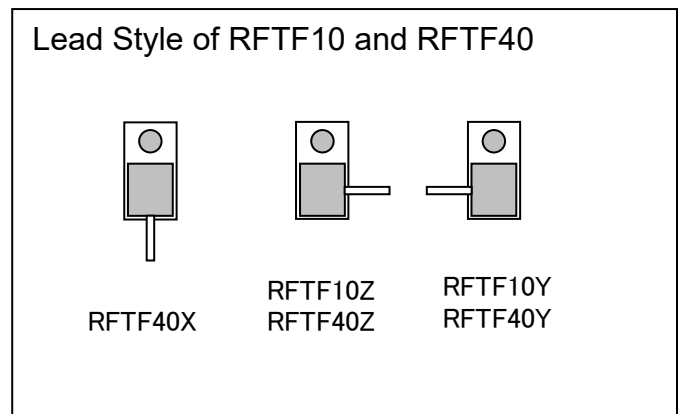
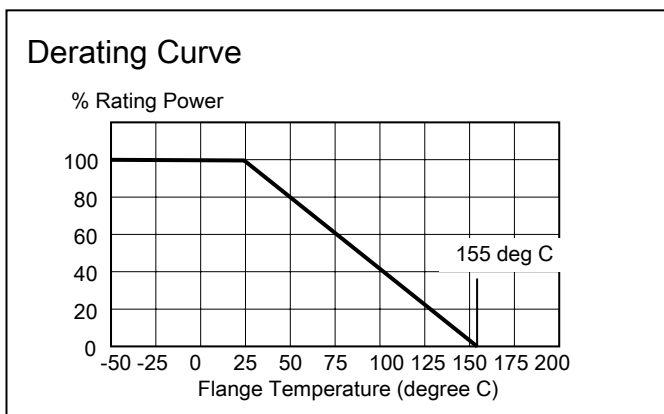
MODEL RFTF40X	TCR C	RESISTANCE 50 ohm	TOLERANCE F	PACKAGE Z05	
RFTF10Z	C(50ppm)	50 ohm	F(1%)	005	TRAY
RFTF40X		(75 ohm) option		Z05	RoHS TRAY
RFTF50					
RFTF100					
RFTF120					
RFTF150					
RFTF250					

### Specifications and Performances

Type, Note(2)	RFTF10	RFTF40	RFTF50	RFTF100	RFTF120	RFTF150	RFTF250
Rating Power	10W	40W	50W	100W	120W	150W	250W
Return Loss at 3GHz	< 1.2	< 1.2	< 1.2	< 1.3	< 1.4	< 1.4	< 1.8
Inductance	--	--	--	--	--	--	--
Capacitance	< 0.5pF	< 0.5pF	< 1.0pF	< 1.0pF	< 2.0pF	< 2.0pF	< 3.0pF
Rating Temp.	-55C to +100C						
Max. Voltage	$E = \sqrt{P \cdot R}$ , where P is rating power, R is resistance						
Resistance	50ohm, 75ohm, (150ohm, 200ohm, 250ohm, 300ohm)						
TC	+/-50ppm/K(C)						
Tolerance	+/-1% (F) standard						
Frequency	DC to 3GHz						
Short Time OL	5 times rating power within 5 seconds						
Operating Temp.	-55C to +155C						
Storage Temp.	-55C to +155C						

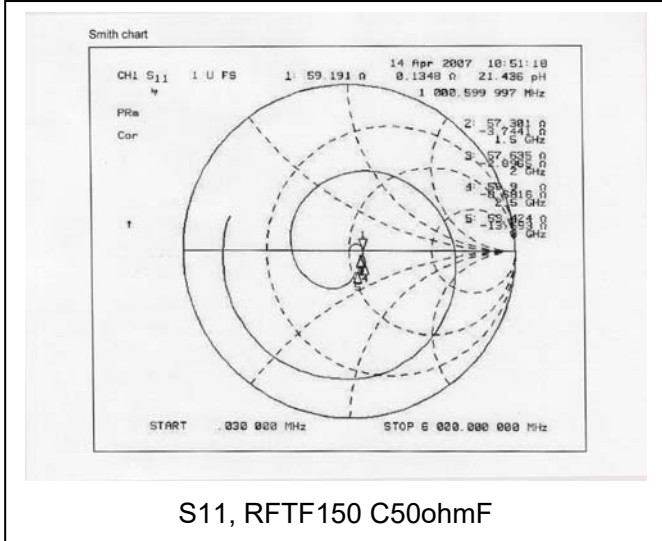
Note(1) Other resistance will be available, please call factory.

Note(2) Old flange RF resistor, RFC series will be discontinued.

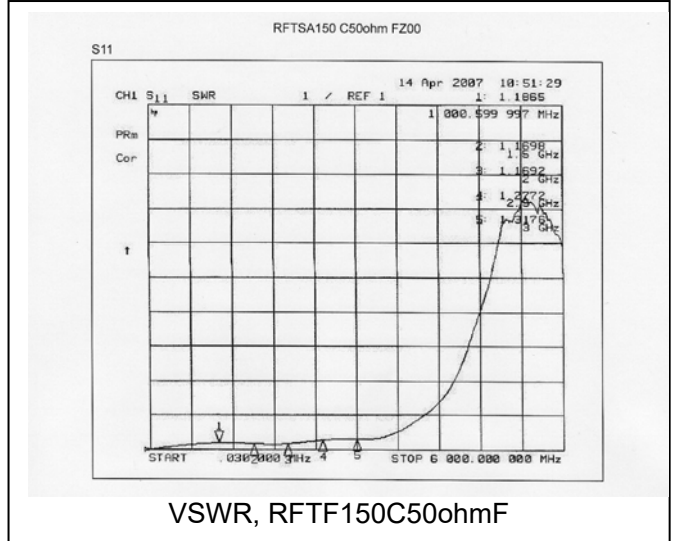


FLANGED POWER TERMINATIONS

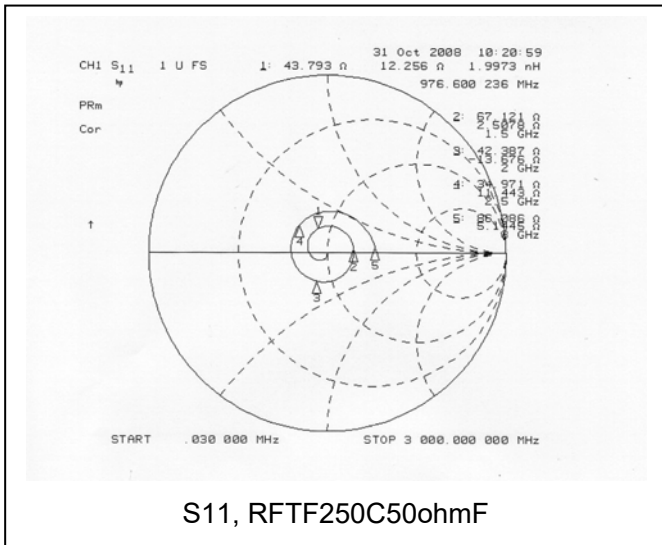
RFTF



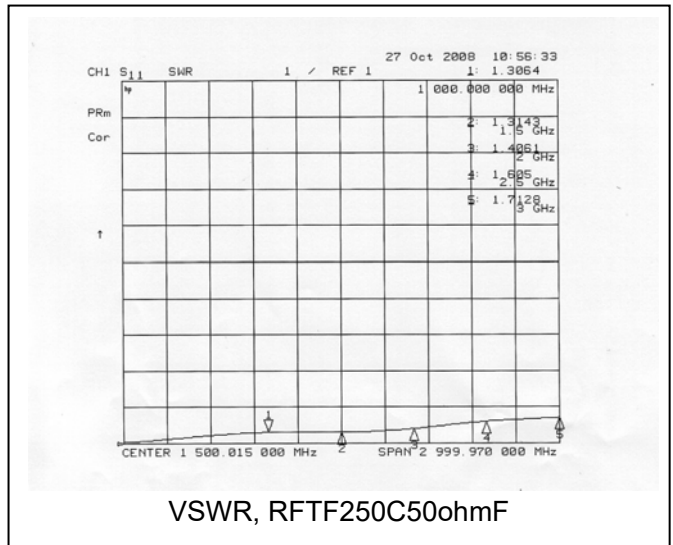
S11, RFTF150 C50ohmF



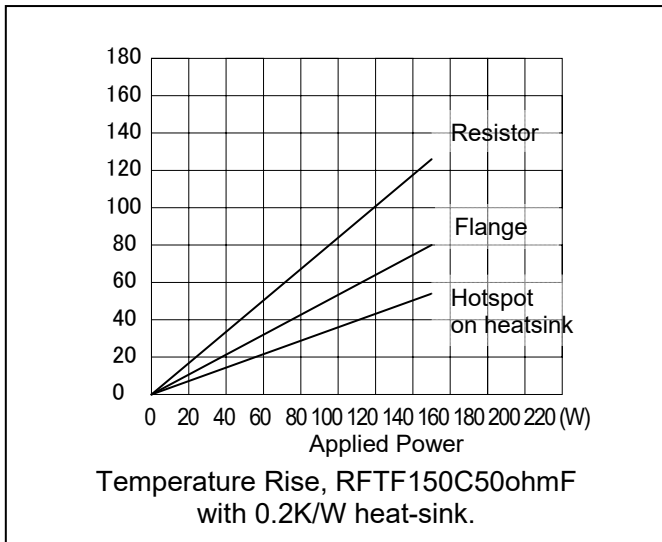
VSWR, RFTF150C50ohmF



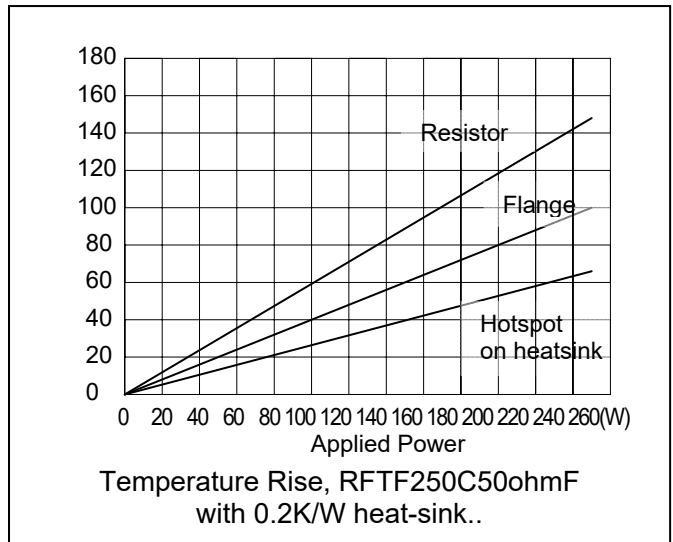
S11, RFTF250C50ohmF



VSWR, RFTF250C50ohmF



Temperature Rise, RFTF150C50ohmF with 0.2K/W heat-sink.



Temperature Rise, RFTF250C50ohmF with 0.2K/W heat-sink..