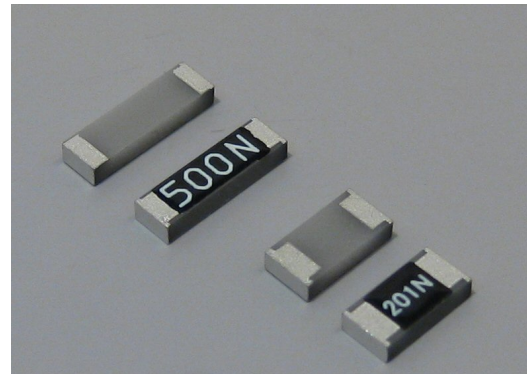


RF POWER RESISTORS

RFR010-010, RFR050-010,
RFR100-010, RFR250-010



Features and Applications

RFR000-010, RFH and RFK are specified rating power of 10W to 250W, resistance of 50ohm to 800ohm for microwave applications. Heat from the resistors can be extracted through back metal or flange to PCB or case heat sink. RF application.

Small sized large power handling feature shows excellent RF characteristics in equipment with RoHS compliance and Beryllium free design.

1% tolerance and 50ppm/degree tight resistances are made application circuit stable.

RF power amplifiers, RF power source, fixed station of cell phone, RF measurement and terminations of circulators / isolators.

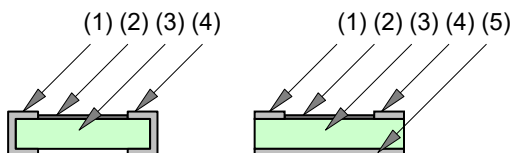
Ordering Information

Type	Style	TCR	Resistance	Tolerance	RoHS/Package
RFR050	010	C	201	F	Z01
RFH52	010	C	500	F	Z01
RFH72	020	(50ppm)	101	(1.0%)	
RFT010			151		
RFT050			201		
RFT080			251		
RFT100			301		
RFT150			401		
RFT200			601		
RFT250			801		

Specifications and Performances

Type	RFH52	RFH72	RFR010-0	RFR050-0	RFR100-0	RFR250-0
Rating Power with Heatsink	10W	10W	10W	50W	100W	250W
Packaging (pcs/tape & reel)	2000	2000	2000	2000	1000	1000
Resistance	50, 100, 150, 200, 250, 300, 400, 600, 800 ohm					
TC	+/-50ppm/K (C)					
Tolerance	+/-1.0% (F)					
Rated Ambient Temp.	100 deg C					
Operating Temp Range	-55 deg C-155 deg C					
Load Life	+/-0.5%					
Humidity	+/-0.5%					
Series Inductance	-					
Parallel Capacitance	-					

Materials

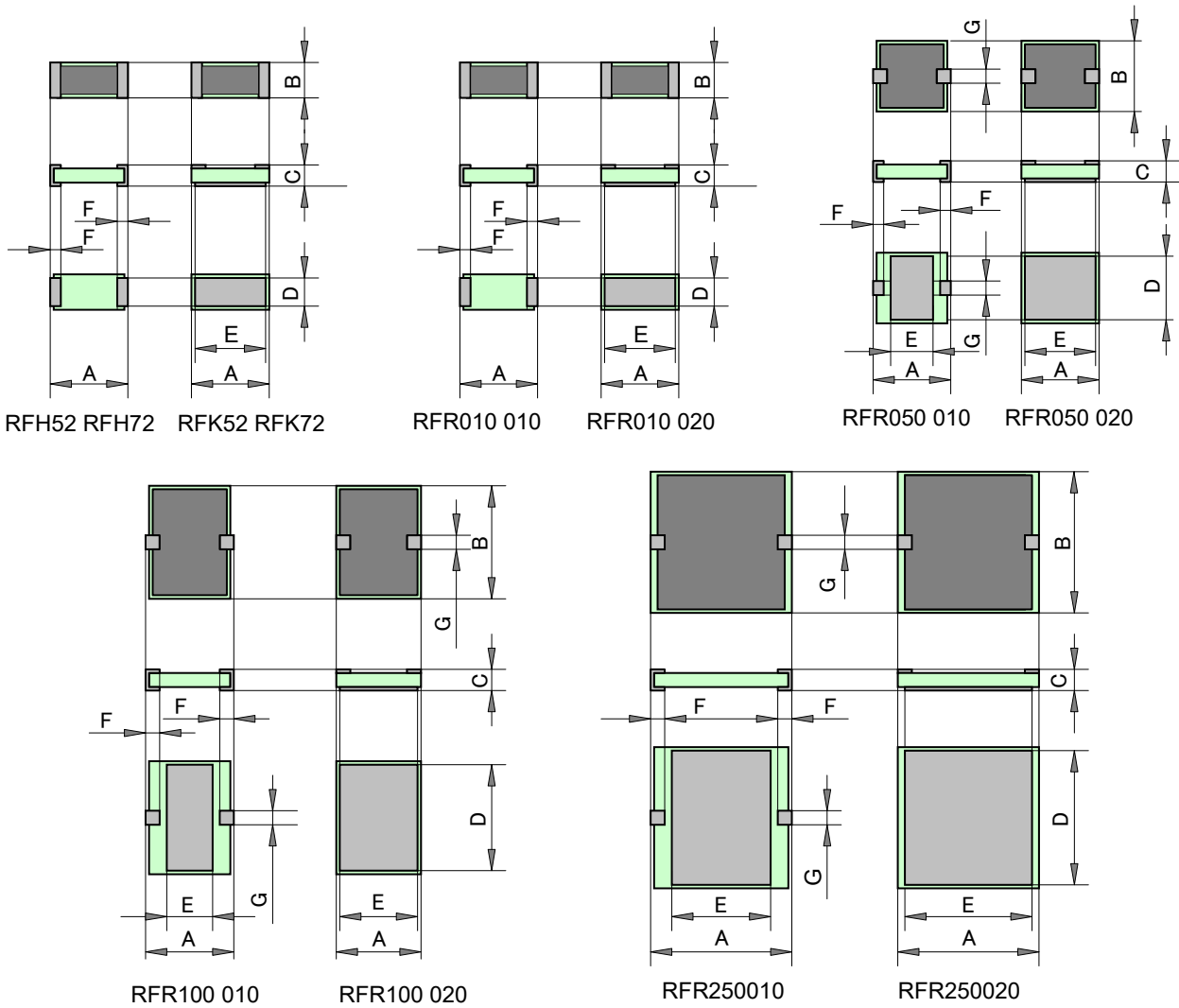


	Substance	Material
(1)	Cold End Terminal	Tin plated Ni-Cu
(2)	Resistive	Ni-Cr
(3)	Substrate	ALN
(4)	Hot End Terminal	Tin plated Ni-Cu
(5)	Back Metal	Tin plated Ni-Cu

RF POWER RESISTOR

RFH, RFK, RFR010-0, RFR050-0, RFR100-0, RFR250-0

Dimension



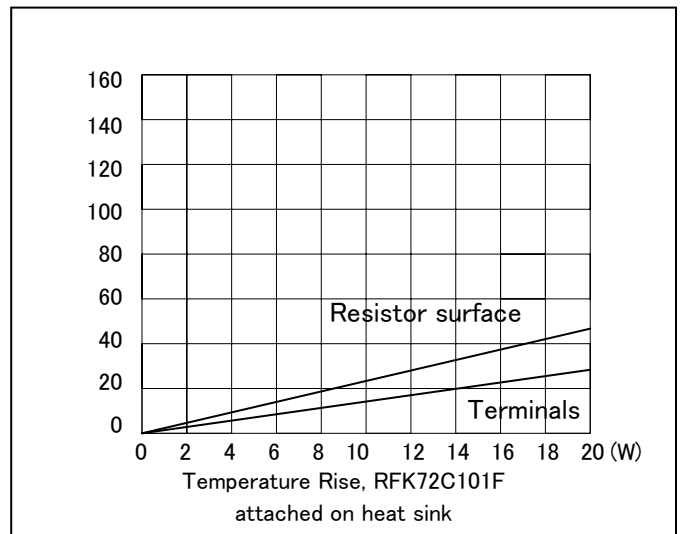
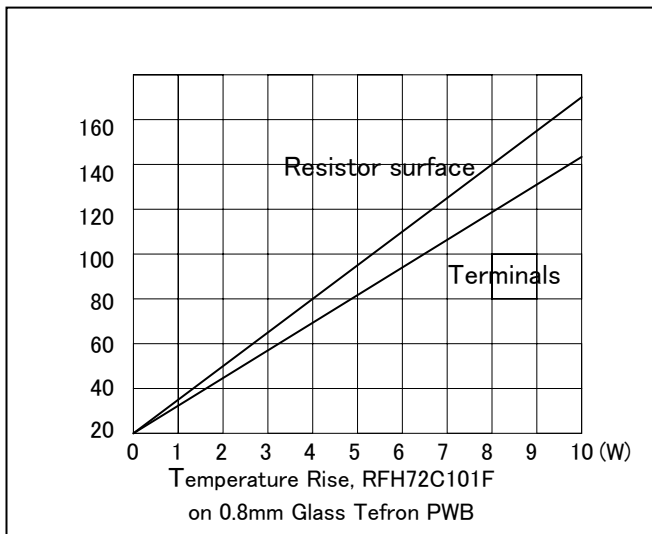
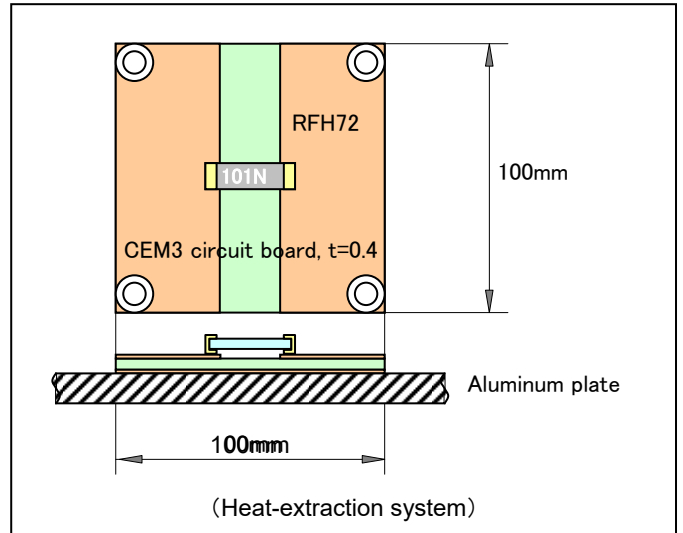
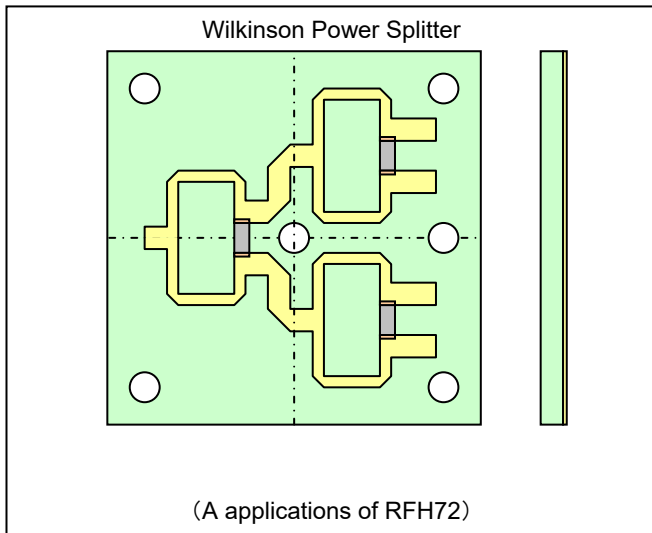
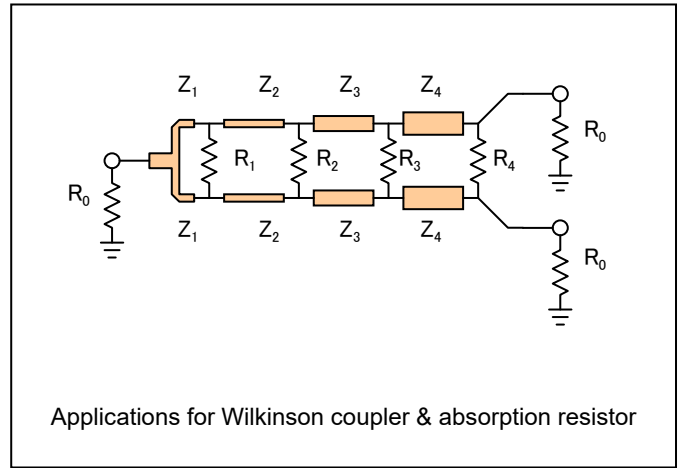
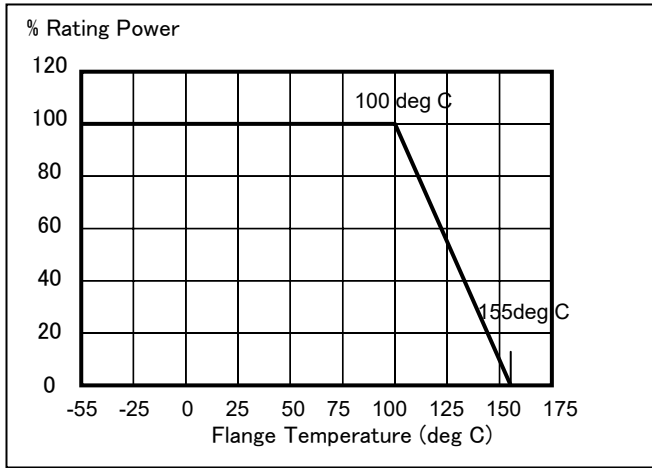
Type	Power	A	B	C	D	E	F	G
RFH52	10W	5.0	2.5	1.2max	-	-	0.8	-
RFH72	10W	7.0	2.0	1.2max	-	-	0.8	-
RFK52	10W	5.0	2.5	1.2max	2.3	4.8	0.8	-
RFK72	10W	7.0	2.0	1.2max	1.8	6.8	0.8	-

Type	Power	A	B	C	D	E	F	G
RFR010 010	10W	5.08	2.54	1.05	-	-	1.27	-
RFR010 020		5.08	2.54	1.05	2.34	4.88	1.27	-
RFR050 010	50W	5.08	5.08	1.05	4.84	2.00	1.27	1.27
RFR050 020		5.08	5.08	1.05	4.84	4.68	1.27	1.27
RFR100 010	100W	5.84	8.89	1.05	8.49	2.54	1.27	1.27
RFR100 020		5.84	8.89	1.05	8.49	5.45	1.27	1.27
RFR250 010	250W	9.52	9.52	1.05	9.12	6.00	1.27	1.27
RFR250 020		9.52	9.52	1.05	9.12	9.12	1.27	1.27

Note1: Gap of "J" shall be sufficient height as RF characteristics.

RF POWER RESISTOR

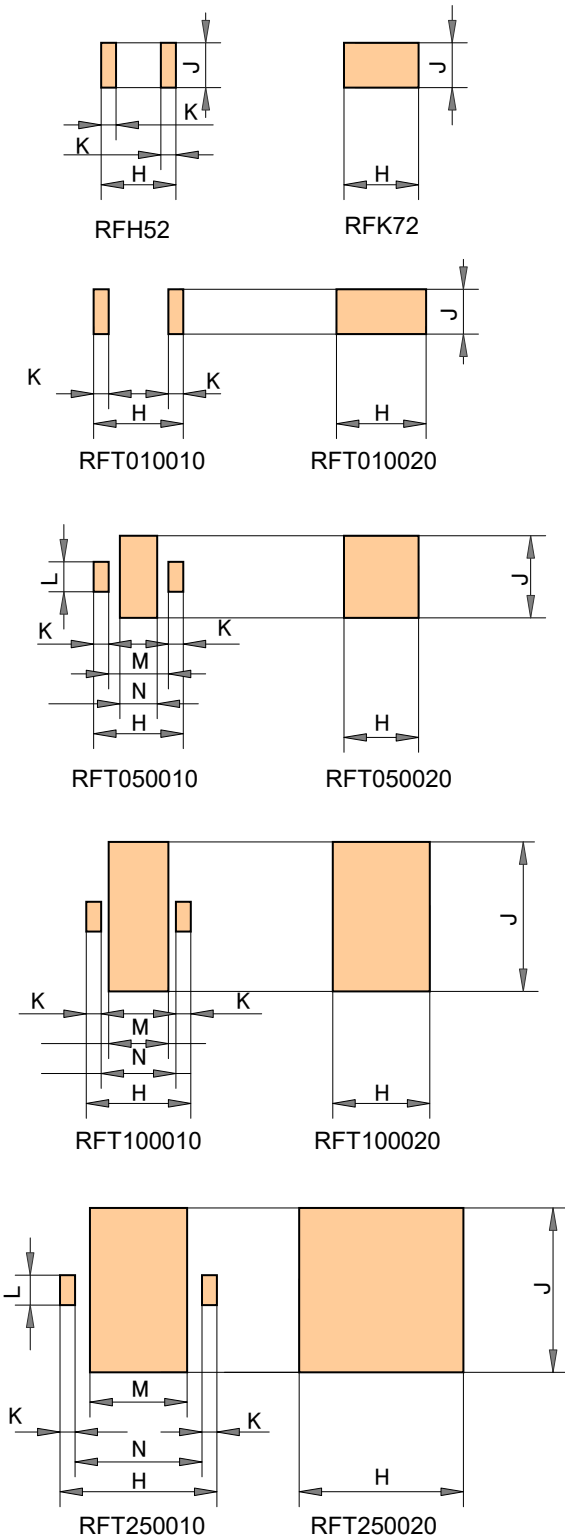
RFH, RFK, RFR010-0, RFR050-0, RFR100-0, RFR250-0



RF POWER RESISTOR

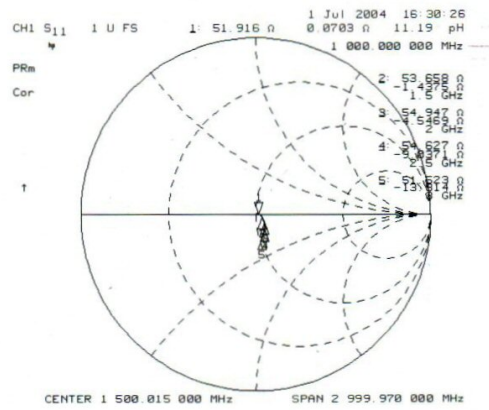
RFH, RFJ, RFK, RFR010-0, RFR050-0, RFR100-0, RFR250-0

Foot Pattern

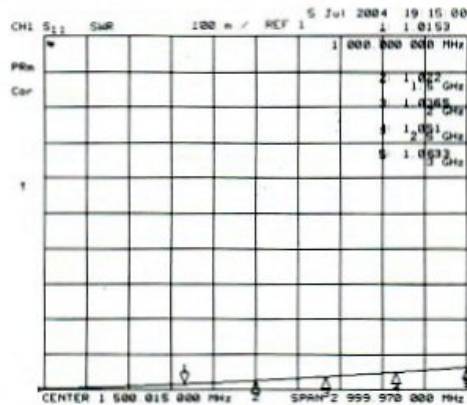


(mm)	H	J	K	L	M	N
RFH52	5.40	2.70	1.20	-	-	-
RFH72	7.40	2.40	1.20	-	-	-
RFK52	5.40	2.70	-	-	-	-
RFK72	7.40	2.40	-	-	-	-
RFT010 010	5.48	2.94	1.67	-	-	-
RFT010 020	5.48	2.94	-	-	-	-
RFT050 010	5.48	5.48	1.47	1.47	2.54	2.14
RFT050 020	5.48	5.48	-	-	-	-
RFT100 010	6.24	9.29	1.47	1.47	3.30	2.90
RFT100 020	6.24	9.29	-	-	-	-
RFT250 010	9.92	9.92	1.47	1.47	6.98	6.58
RFT250 020	9.92	9.92	-	-	-	-

Frequency Characteristic



S11, RFH72C500F



VSWR, RFH72C500F