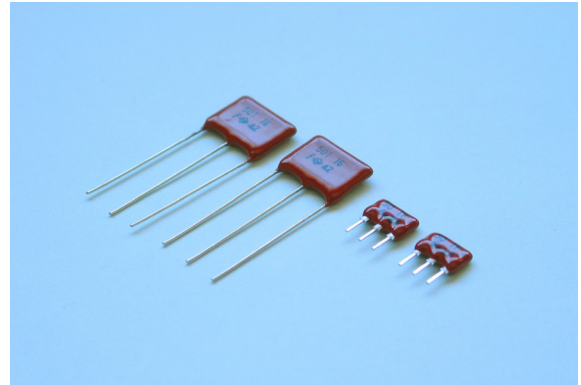


VHF/UHF THROUGH-HOLE ATTENUATOR

RFA-50T, RFA-75T,  
RFA-300T, RFA-600T



Features and Applications

RF attenuators with 50ohm, 75ohm, 300ohm and 600ohm characteristic impedance and T schematic. For through hole applications. SIP and DIP.

Long life and temperature stability a result of Ni-Cr thin film and alumina substrates. RFA series useful in isolation circuits, data transmission, mobile, RF applications and measurements

Specifications and Performances

Model	Type	Characteristic Impedance	Attenuation	Frequency	Rate Power
RFA-50TF	T-SIP 2.54pitch leads	50 ohm	2,3,4,5,6,7,8,9,10,16, 20,30,32 dB	DC-100MHz	0.25W
RFA-75TF	T-SIP 2.54pitch leads	75 ohm	2,3,4,5,6,7,8,9,10,16, 20,30 dB	DC-100MHz	0.25W
RFA-300TF	T-SIP 2.54pitch leads	300 ohm	2,3,4,5,6,7,8,9,10,16, 20,30 dB	DC-100MHz	0.25W
RFA-600TF	T-SIP 2.54pitch leads	600 ohm	2,3,4,5,6,7,8,9,10,16, 20,30 dB	DC-100MHz	0.25W
RFA-50T	T-SIP 5.0pitch leads	50 ohm	2,3,4,5,6,7,8,9,10,16, 20,30,32 dB	DC-100MHz	0.50W
RFA-75T	T-SIP 5.0pitch leads	75 ohm	2,3,4,5,6,7,8,9,10,16, 20,30 dB	DC-100MHz	0.50W
RFA-300T	T-SIP 5.0pitch leads	300 ohm	2,3,4,5,6,7,8,9,10,16, 20,30 dB	DC-100MHz	0.50W
RFA-600T	T-SIP 5.0pitch leads	600 ohm	2,3,4,5,6,7,8,9,10,16, 20,30 dB	DC-100MHz	0.50W

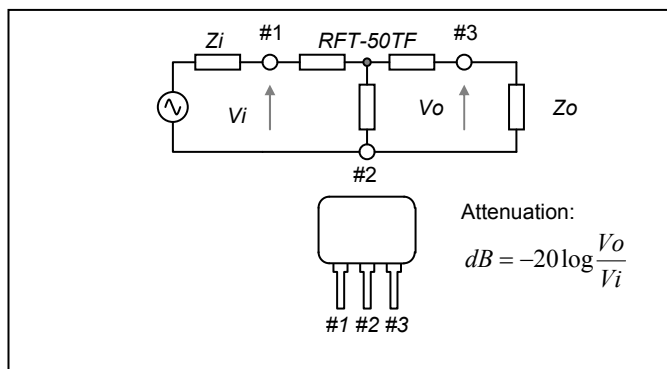
Note: 1db and 40dB are optional, consult factory.

Ordering Information

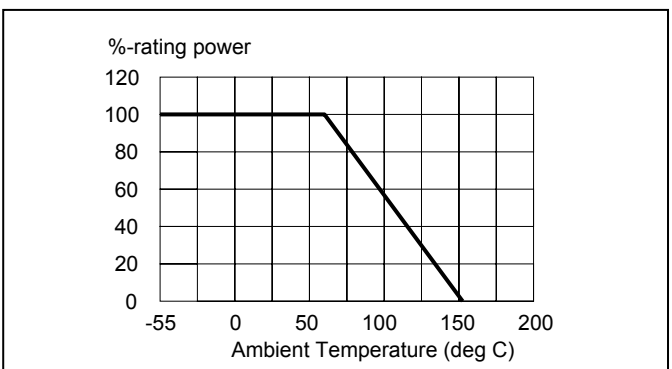
Model	Attenuation	Imp. Tolerance	RoHS	Note
RFA-50TF	6dB	F (1%)	Z00	---
RFA-50TF	2dB	F (+/-1%)	Z00	---
RFA-75TF	3dB			
RFA-300TF	4dB			
RFA-600TF	5dB, 6dB, 7dB			
	8dB, 9dB			
RFA-50T	10dB			
RFA-75T	16dB			
RFA-300T	20dB			
RFA-600T	30dB			
	32dB(*)			

(\*): Attenuation 32dB is optional only for RFA50TF and RFA50T.

Pin Assignment



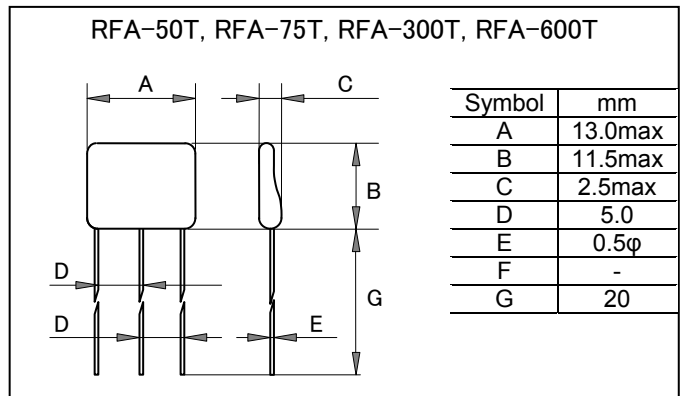
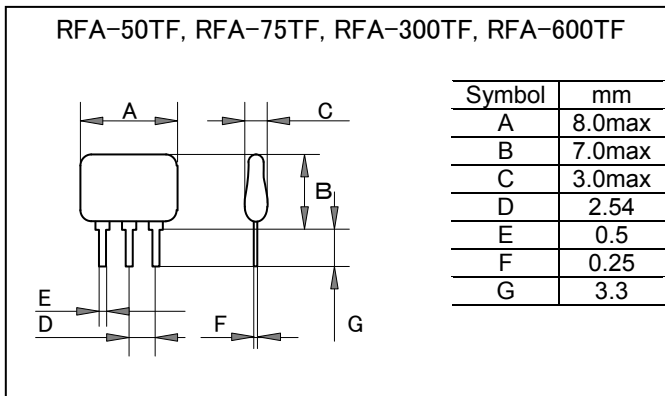
Power Derating



## VHF/UHF THROUGH-HOLE ATTENUATORS

## RFA-50T, RFA-75T, RFA-300T, RFA-600T

## Dimensions



## Performance

Items	Specifications	Test Methods
Tolerance of Impedance	+/-1% (F)	Input dc resistance in terminating output port with precision resistor.
Tolerance of Attenuation	+/-1%	Output dc volt in terminating output port with precision resistor when 1V stable dc source connect to input port.
TCR of Impedance	+/-50ppm/deg C	TC of input DC resistance in terminating output port with precision resistor
TCR of Attenuation	+/-50ppm/deg C	Output dc volt TC in terminating output port with precision resistor when 1V stable dc source connect to input port.
Rating Temperature	+70 deg C	-55 deg C to +70 deg C at rating power (Operating: +155deg C)
Soldering Heat	+/-1%	350°C, 3 seconds, dipping
Solder-ability	75% Covered	350°C, 3 seconds, dipping
Humidity	+/-1%	40°C, -95%RH, DC0.1W, 1000H
Load Life	+/-1%	70°C, 90minON, 30minOFF, 100H
Vibration	+/-1%	
Operating Temperature	-55 - +155 deg C	
Storage Temperature	-55 - +155 deg C	

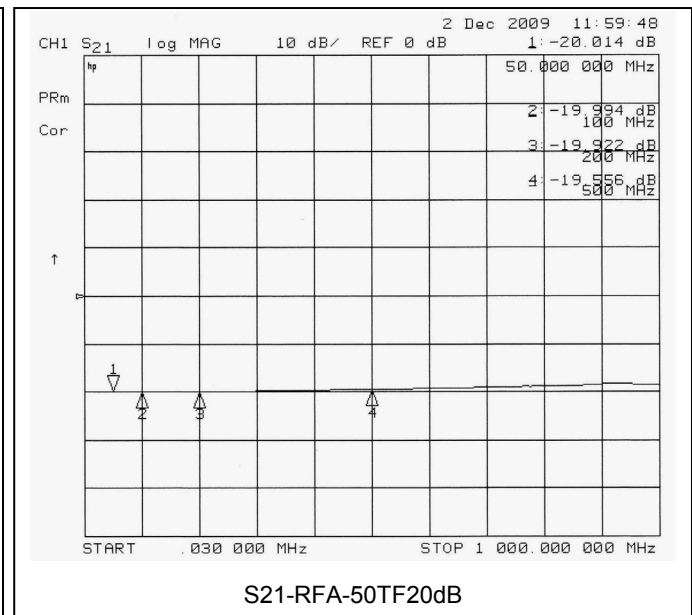
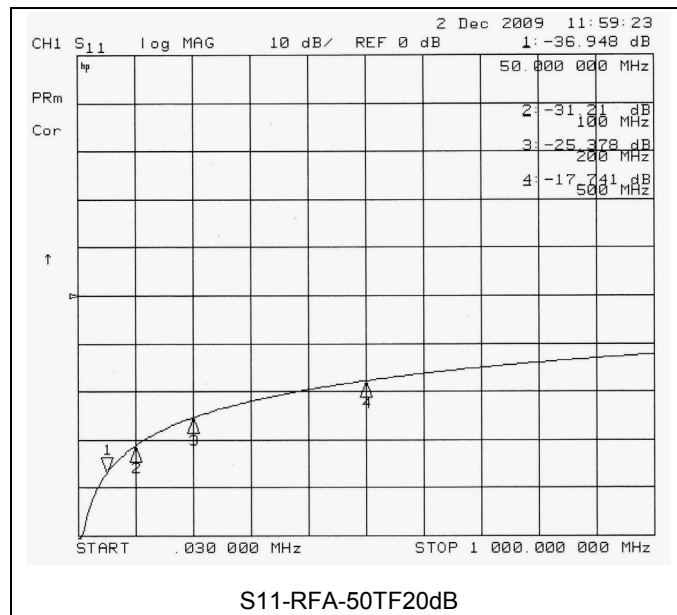
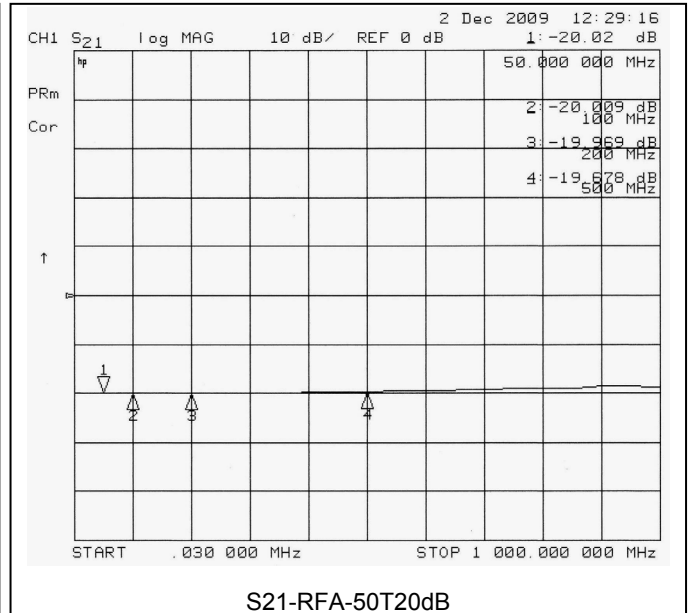
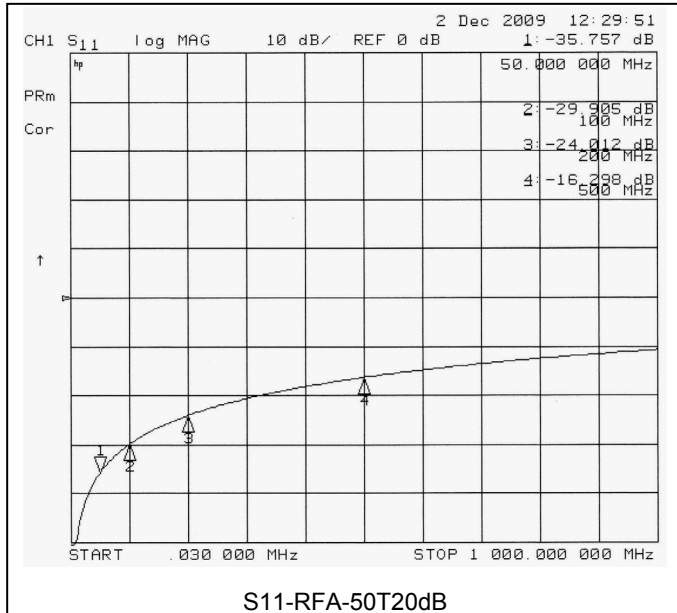
## Remarks:

Attenuators, RFA-50TS, RFA-300B, RFA-600B, RFA-85FD, RFA-85FC were discontinued, when request please call our factory.

VHF/UHF THROUGH-HOLE ATTENUATORS

RFA-50T, RFA-75T, RFA-300T, RFA-600T

RF Characteristics, Typical



Note: Transformation between VSWR and S11:

$$VSWR = \frac{1 + |\Gamma|}{1 - |\Gamma|} \dots\dots |\Gamma| = 10^{\frac{S11}{20}}$$

$$|\Gamma| = \frac{VSWR - 1}{VSWR + 1} \dots\dots S11 = -(-20 \log |\Gamma|)$$