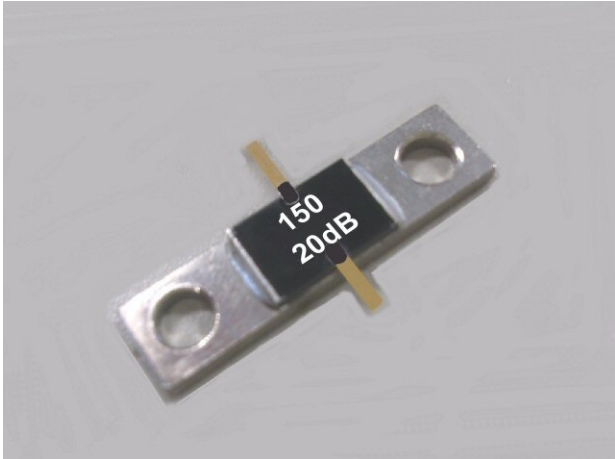


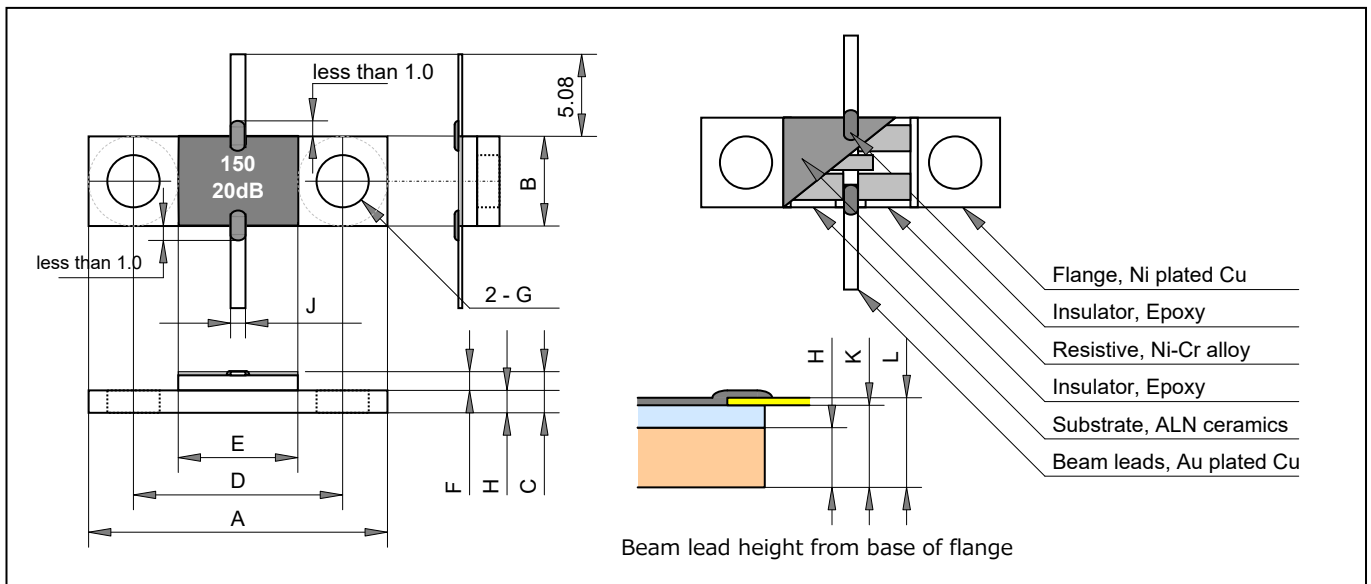
150W
 FLANGE MOUNT
 RF POWER ATTENUATORS
 RFA150 110



Features and Applications

RFA150 110, 150W, flange mount small size attenuators in range of of 3dB to 30 dB attenuation, 50ohm characteristic impedance for DC to 3GHz.
 RFA150 110 is RoHS and BeO free configuration with ALN.
 RFA150 110 has soft Cu beam leads
 Long life and temperature stability of thin film technology realize better performance at a temperature range from -55°C to +155°C.
 Applications include power amplifiers at GHz, loss compensation of transmission line of data communication systems, detecting signal control of ATE-LSI test system-circuit board functional test systems, industrial measurement electronics, medical scientific electronics.

Dimensions (mm) and Materials



	A	B	C	D	E	F	G	H	J	K	L
mm	24.77	6.35	2.50	18.41	9.52	(1.30)	Φ 3.63	1.50	0.80	2.60	2.70
Tolerance	+/-0.5	+/-0.5	+/-0.5	+/-0.5	+/-0.25	----	+/-0.2	+/-0.2	+/-0.3	+/-0.3	+/-0.3

Ordering Information

Type RFA150 110	Attenuation 20dB	Tolerance of Imp. G	Packaging Z05	Note
RFA150 110	3dB	G (2%)	Z05	RoHS 2 Tray Package
	6dB			
	10dB			
	20dB			
	30dB			

150W
FLANGE MOUNT RF POWER ATTENUATORS

RFA150 110

Specifications

Type	RFA150 110	Note
Rated Power, input power	150W	-55°C to +100 °C
Rated Operating Temperature	100 °C	With heat sink
Characteristic Impedance	50 ohm	at dc
Tolerance, Impedance	+/- 2.0%	
TCR, Impedance	+/- 50 ppm/°C	
Attenuation	3, 6, 10, 20, 30 dB	at dc
Tolerance, Attenuation	See table 1	20dB & 30dB, +/-0.4dB
TCR, Attenuation	+/- 50 ppm/°C	
VSWR	See table 2	
Operating Temp. Range	-55 °C - +155 °C	
Storage Temp. Range	-55 °C - +155 °C	

Note 1: Rating wattage of RFA150 110 assumes that the chip attached on proper heat-sink by screw.

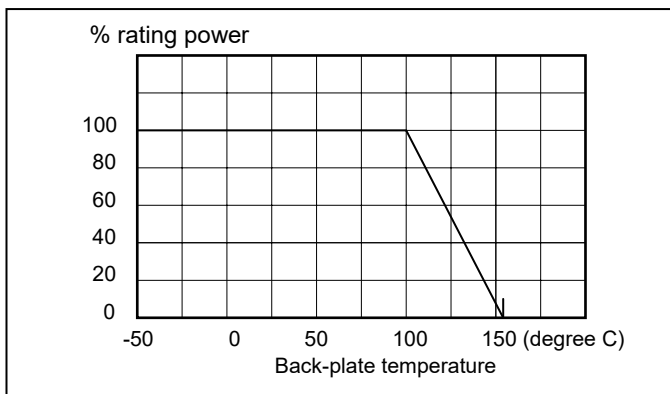
Note 2: RFA150 110 is compliance with RoHS.

Note 3: When another attenuation is required please call factory, info@nikkohm.co.jp

Performances

Items	Specifications	Conditions
Soldering Heat	+/- 1%	350°C, 3 seconds dipping.
Soldering Capability	95% covered	
Humidity	+/- 1% impedance	Input DC resistance change Under condition of 40C temp and 90-95%RH, rating power ON-90min, OFF-30min, 1000h
Load Life	+/- 1% impedance	Input DC resistance change. Under condition of 70C temp, rating power ON-90min, OFF-30min, 1000h

Derating



RF Characteristic (S21), typical

GHz	0.1	1.0	1.5	2.0	2.5	3.0
RFA150110 20DB	20.0	20.0	20.0	20.1	20.2	20.3
RFA150110 30DB	30.0	30.0	29.9	30.0	30.0	30.0

RF Characteristics (S11), typical

