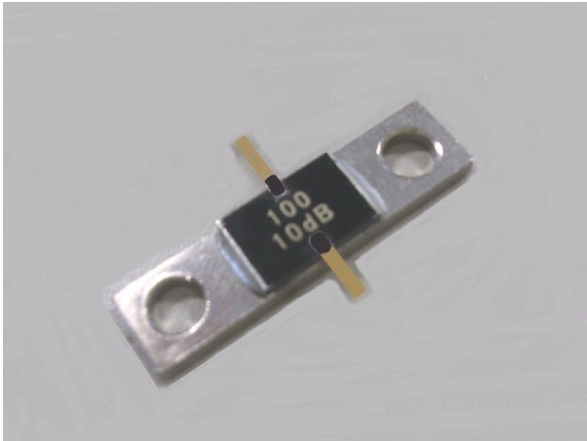


100W
 FLANGE MOUNT
 RF POWER ATTENUATORS
 RFA100 110



Features and Applications

RFA100 110, 100W, flange mount small size attenuators in range of 3dB to 30 dB attenuation, 50ohm characteristic impedance for DC to 3GHz.

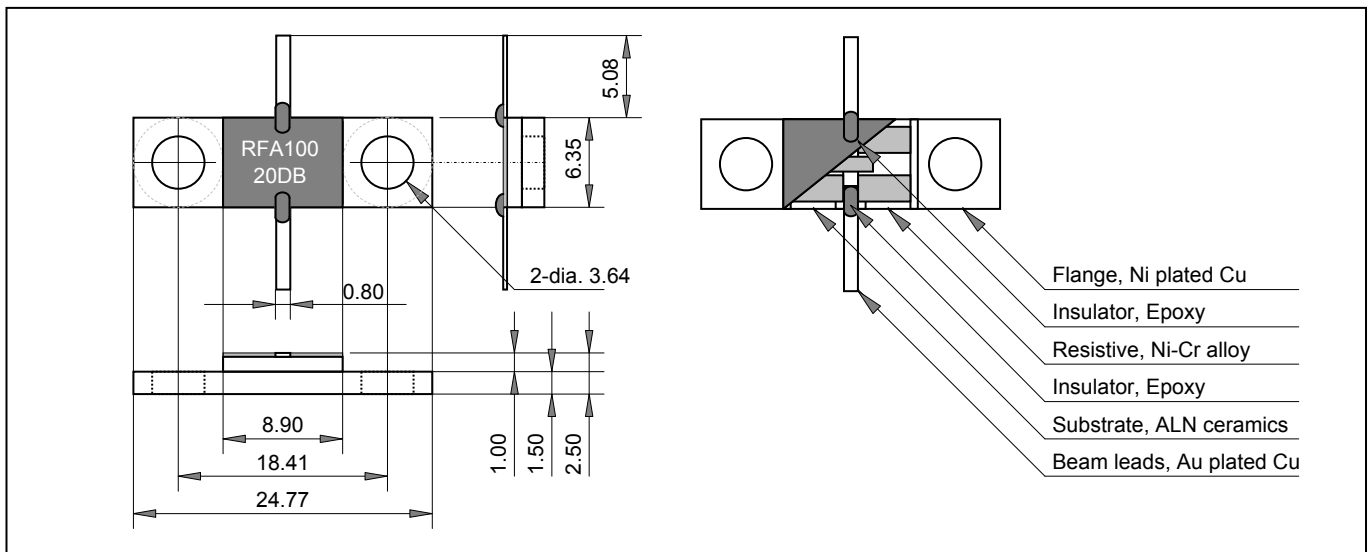
RFA100 110 is RoHS and BeO free configuration with ALN.

RFA100 110 has soft Cu beam leads

Long life and temperature stability of thin film technology realize better performance at a temperature range from -55°C to +155°C.

Applications include power amplifiers at GHz, loss compensation of transmission line of data communication systems, detecting signal control of ATE-LSI test system-circuit board functional test systems, industrial measurement electronics, medical scientific electronics.

Dimensions (mm) and Materials



Ordering Information

Type RFA100 110	Attenuation 20dB	Tolerance of Imp. G	Packaging Z00	Note
RFA100 110	3dB 6dB 10dB 20dB 30dB	G (2%)	Z00 RoHS Tray Package	

100W
FLANGE MOUNT RF POWER ATTENUATORS

RFA100 110

Specifications

Type	RFA100 110	Note
Rated Power, input power	100W	-55°C to +100°C
Rated Operating Temperature	100 deg C	With heat sink
Characteristic Impedance	50 ohm	at dc
Tolerance, Impedance	+/- 2.0%	
TCR, Impedance	+/- 50 ppm/°C	
Attenuation	3, 6, 10, 20, 30 dB	at dc
Tolerance, Attenuation	See table 1	20dB & 30dB, +/-0.4dB
TCR, Attenuation	+/- 50 ppm/°C	
VSWR	See table 2	
Operating Temp. Range	-55 °C - +155 °C	
Storage Temp. Range	-55 °C - +155 °C	

Note 1: Rating wattage of RFA100 110 assumes that the chip attached on proper heat-sink by screw.

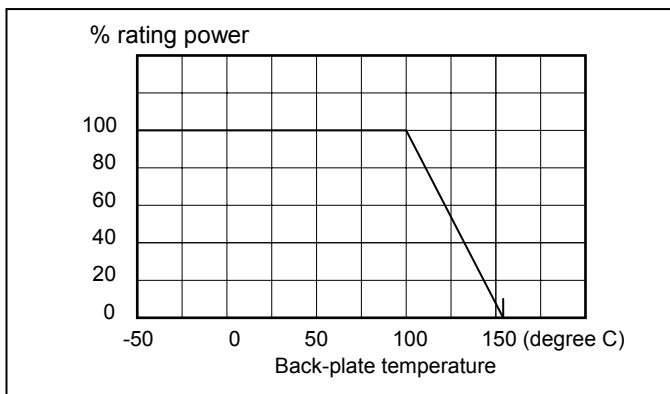
Note 2: RFA100 110 is compliance with RoHS.

Note 3: When another attenuation is required please call factory, info@nikkohm.co.jp

Performances

Items	Specifications	Conditions
Soldering Heat	+/- 1%	350°C, 3 seconds dipping.
Soldering Capability	95% covered	
Humidity	+/- 1% impedance	Input DC resistance change Under condition of 40C temp and 90-95%RH, rating power ON-90min, OFF-30min, 1000h
Load Life	+/- 1% impedance	Input DC resistance change. Under condition of 70C temp, rating power ON-90min, OFF-30min, 1000h

Derating



RF Characteristic (S21), typical

GHz	0.1	1.0	1.5	2.0	2.5	3.0
RFA100110 20DB	20.0	20.0	20.0	20.1	20.2	20.3
RFA100110 30DB	30.0	30.0	29.9	30.0	30.0	30.0

RF Characteristics (S11), typical

