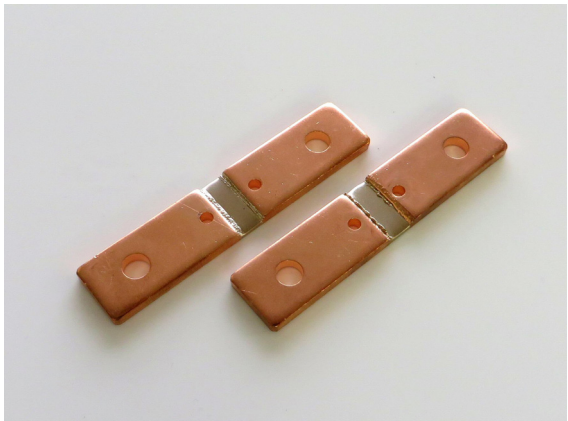


15W CURRENT SENSING RESISTORS  
 RCS842030, RCS842031, RCS842032  
 RCS842033 (380A–0.1mohm)

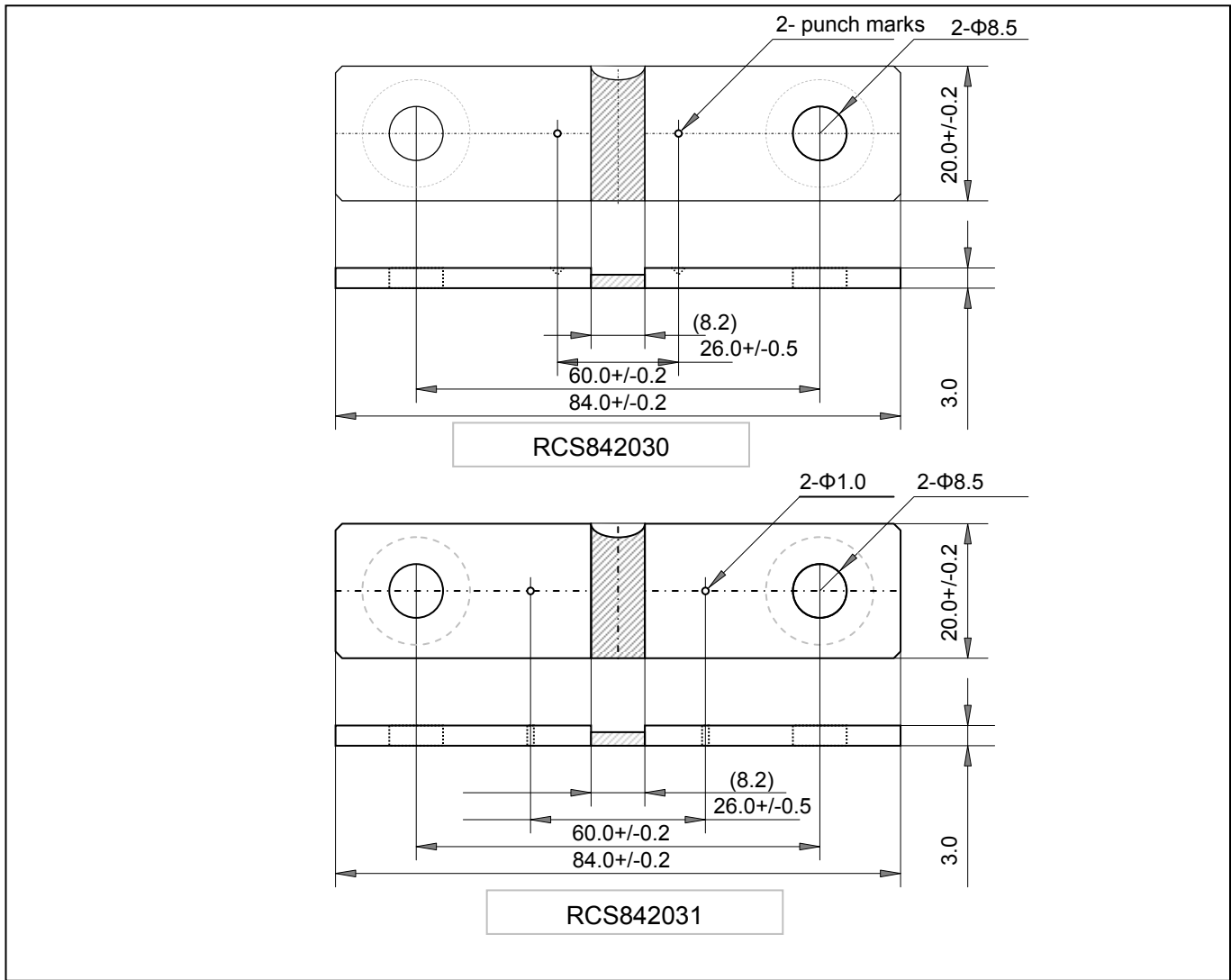


Features and Applications

Four terminals bus-bar metal strip current shunt of all EB weld and passivate surface, Ni plating is available in option.  
 Up to 15W continuous power and maximum current 380A – 38mV (100uΩ)  
 84mm x 20mm x 3mm dimension has various voltage terminal style.  
 Very low inductance and high pulse current rating.

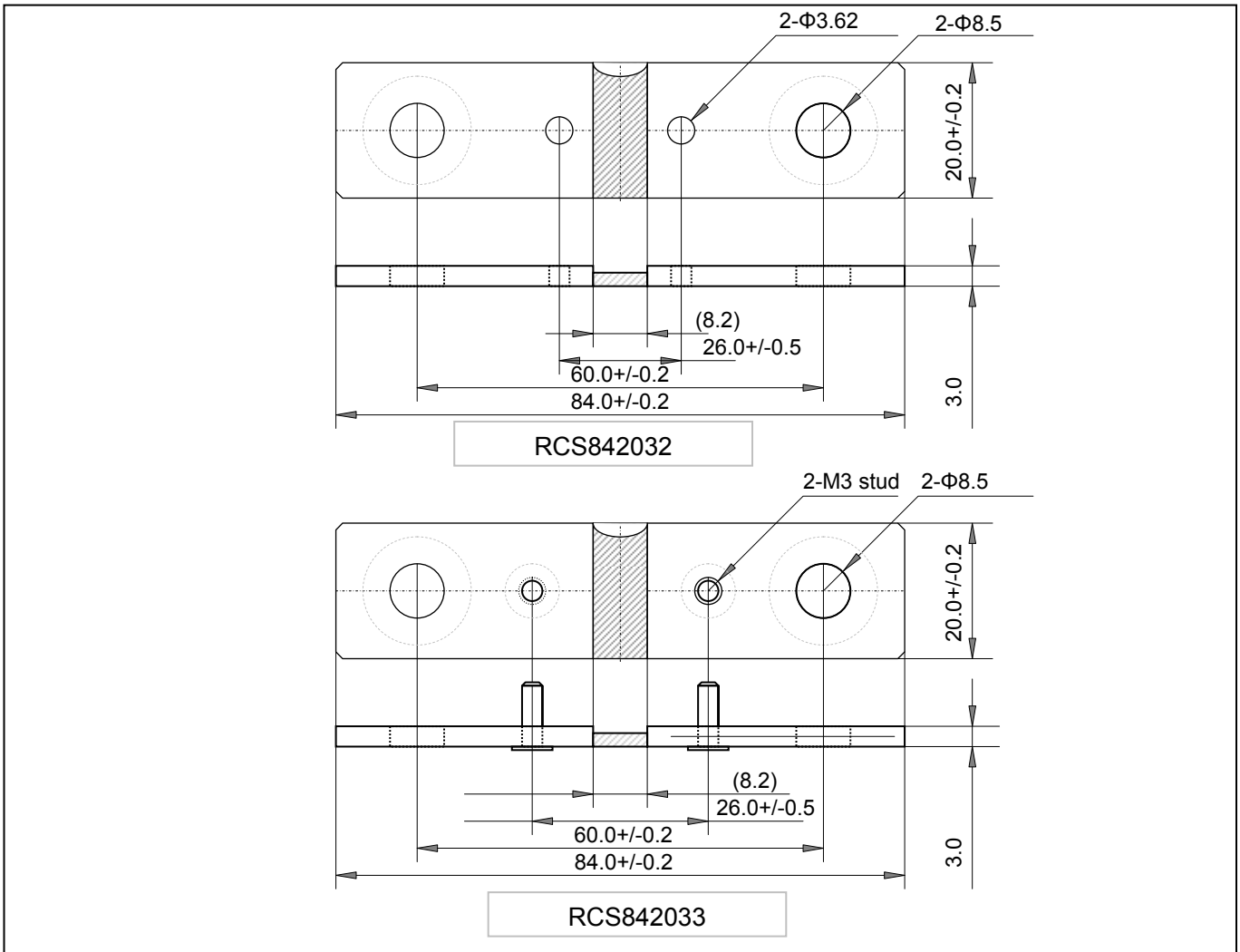
Up to 15W continuous power and maximum current 350A (0.1mohm)  
 High pulse power rating  
 Very low inductance

Dimensions



15W CURRENT SENSING RESISTORS

RCS842030, RCS842031, RCS842032, RCS842033 (380A–0.1mohm)



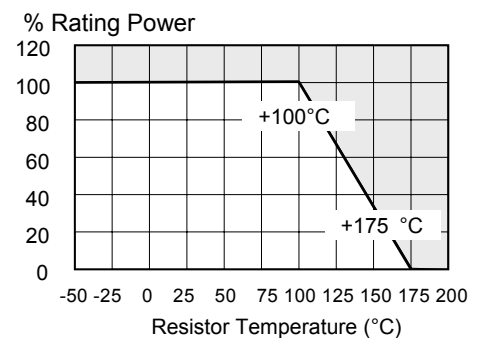
Ordering Information

Type	TCR	Resistance	Tolerance	Note
RCS842030	A	R0001	F	Z00
RCS842030	A (100ppm/°C)	R00005	F (+/-1%)	Z00
RCS842031		R0001	H (+/-3%)	
RCS842032			J (+/-5%)	
RCS842033				

Specification and Performance

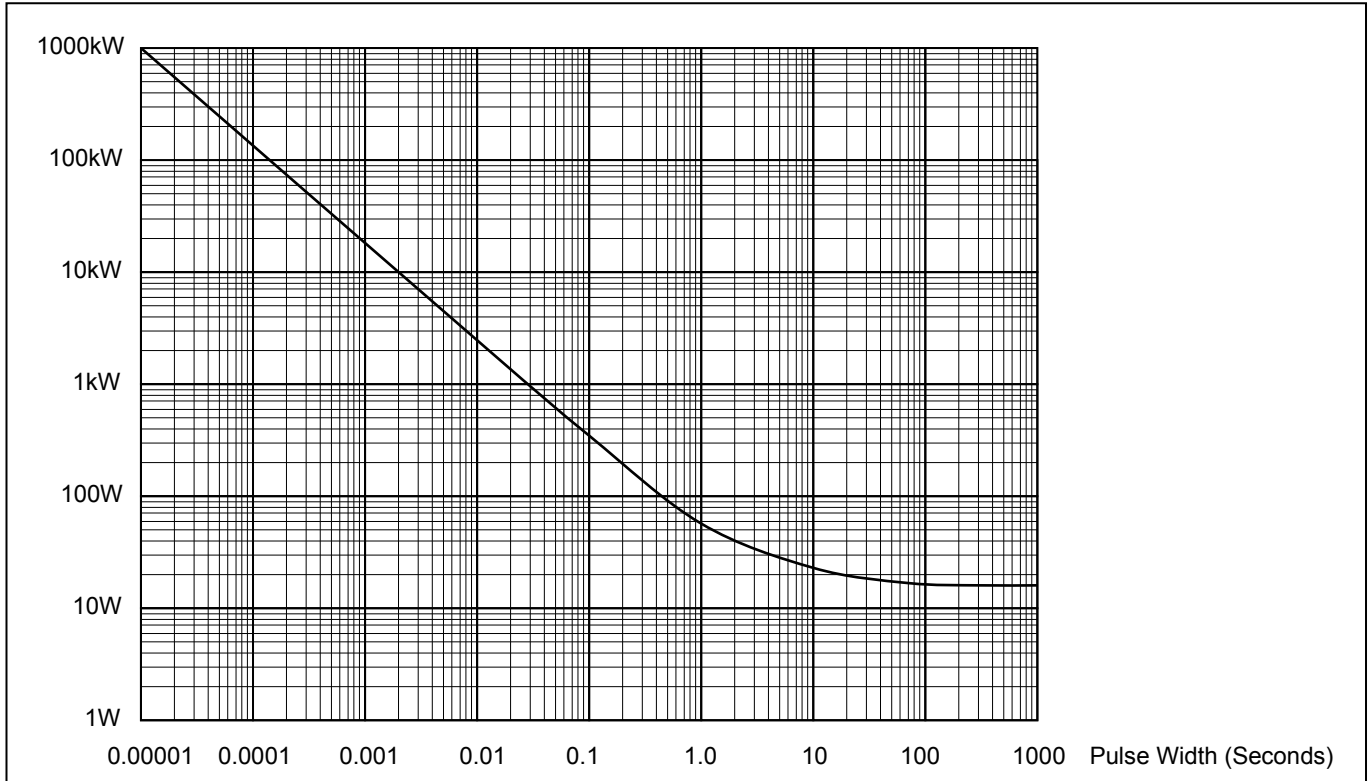
Resistance	0.05 to 0.1 milliohm
TCR	+0 to +100ppm/°C (A)
Tolerance	+/-1% (F), +/-3%(H) and +/-5% (J)
Rating Power	15W
Rating Current	See upper table
Operating Temperature	-55°C - +175°C
Storage Temperature	-55°C - +175°C
Weight	30 grams

Power Derating



15W CURRENT SENSING RESISTORS  
RCS842030, RCS842031, RCS842032, RCS842033 (380A–0.1mohm)

Pulse Energy (RCS842030)



Note