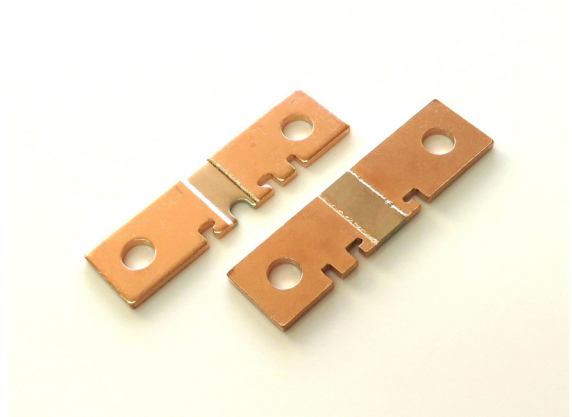


3W BUS BAR CURRENT SHUNT RESISTORS

RCS551520, RCS551521

RCS551522, RCS551523 (170A-0.1mΩ)

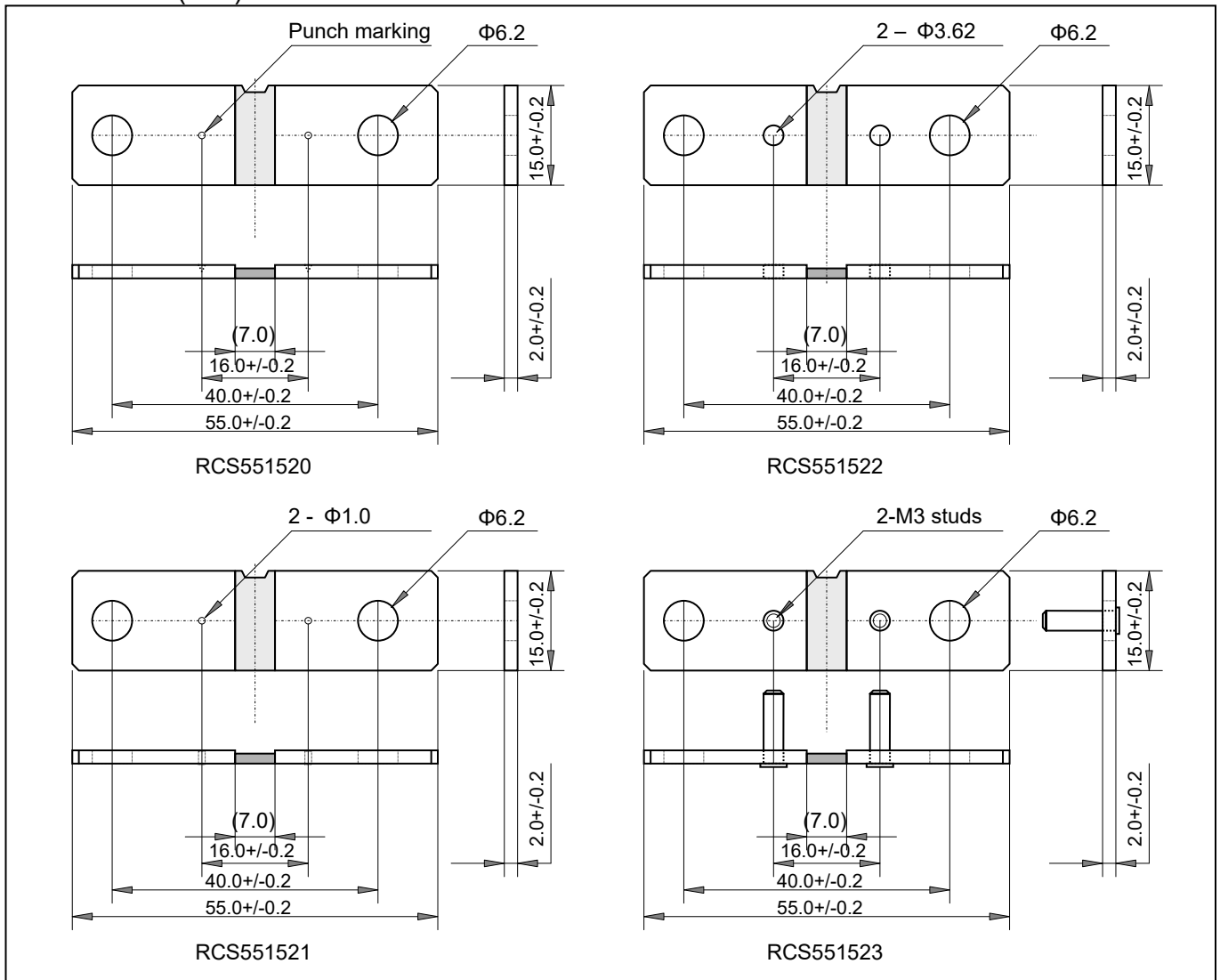
RCS551525, RCS551526



Features and Applications

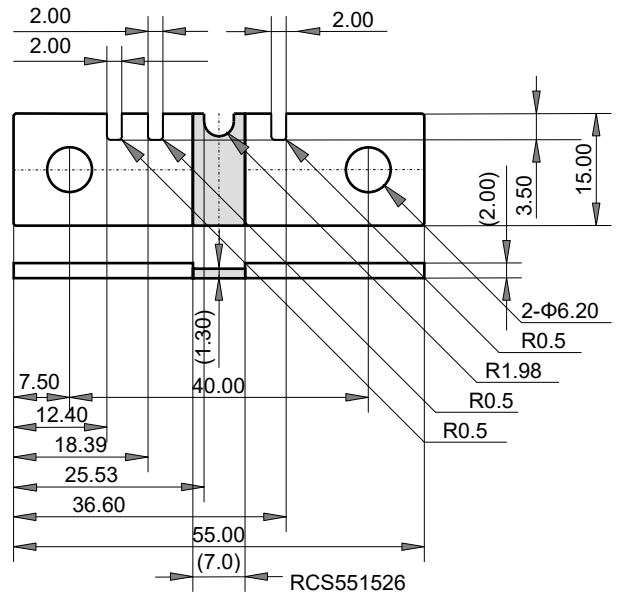
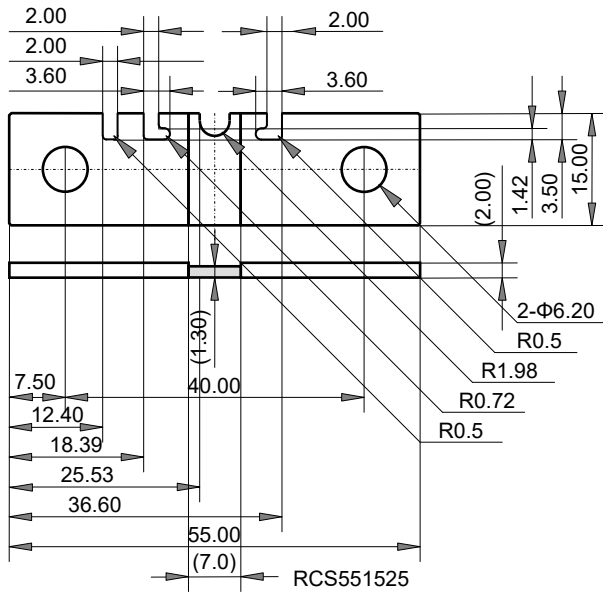
Rating current 3W - 170A (0.1mohm), bus bar shunt resistors for electric equipments.
 Excellent long term stability and less than 100ppm/C TCR are realized by using Ni alloy and fully fine welding structure.
 Simple 4-ports Kelvin structure is easy to install large current bus-bar.
 Current detection in precision power source, constant current source, industrial power conversion circuit, battery charging control, constant electronic load and etc.

Dimensions (mm)



3W CURRENT SENSING RESISTORS

RCS551520, RCS551521, RCS551522, RCS551523, RCS551525, RCS551526



Ordering Information

Type RCS551520	TCR A	Resistance Value R0001	Tolerance F	Note Z00
RCS551520	A (0/+100ppm/°C)	R00005	F(+/-1%) option	Z00
RCS551521		R0001	H(+/-3%)	
RCS551522			J(+/-5%)	
RCS551523				
RCS551525				
RCS551526				

Specifications and Performances

Type	Specification
Resistance	RCS551520
TCR	0.1 to 0.05 mΩ
Tolerance	+0 to +100ppm/°C (A)
Rating Power	+/-1% (F), +/-3.0%(H) and +/-5% (J)
Maximum Power	3W
Rating Current	100W / 0.1seconds
Weight	170A - 0.1mΩ
Operating Temperature	15 grams
Storage Temperature	-55°C - +175°C
	-55°C - +125°C

