

LIGHTWEIGHT PRECISION
CURRENT SHUNT RESISTORS

NSLC800, NSLC1000, NSLC1200



Features and Applications

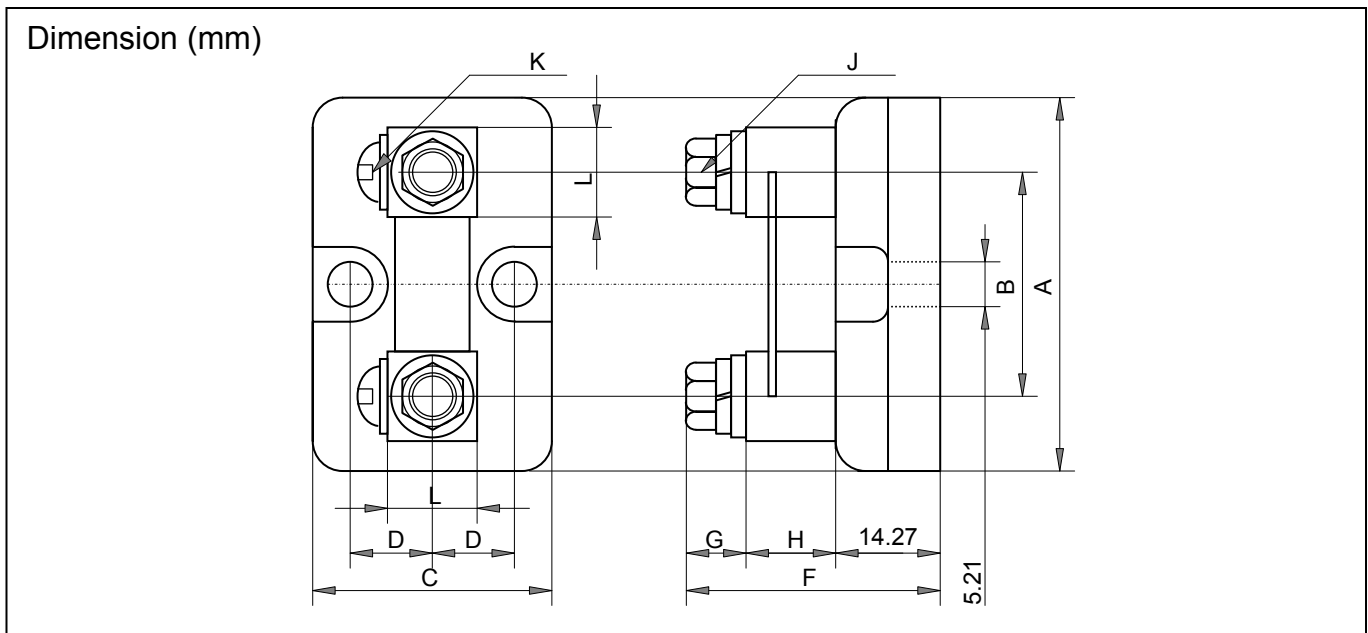
Lightweight large current shunt resistors for ampere-meters, designed for power electric equipment.

Excellent long-term stability, low emf and low TCR.

Easy current measurement is performed by attaching to current bus or wires and connecting to ampere-meter through flexible wires.

All of shunts are calibrated on equipment with current certifications traceable to US-N.I.S.T

For high precision power supply, power converters, and current measurement instruments.



p/n	A	B	C	D	F	G	H	J	K
NSLC800-50	114.30	54.86	63.50	25.40	53.98	14.27	25.40	1/2-13x7/8	#10-32 SCR.
NSLC1000-50	114.30	54.86	63.50	25.40	53.98	14.27	25.40	1/2-13x7/8	#10-32 SCR.
NSLC1200-50	114.30	54.86	63.50	25.40	53.98	14.27	25.40	1/2-13x7/8	#10-32 SCR.

Tolerances +/-0.015 inch (+/-0.38 mm) for hole diameter, Other tolerances +/-0.030 inch (+/- 0.076 mm) unless otherwise noted.

Ordering Information

Style	Rating Current in A	Voltage in mV	Tolerance	Code
NSLC	1000	-50mV	C	Z00
NSLC	800	-50mV	C(0.25%)	Z00
	1000			
	1200			

- (1) Accuracy will be assure B (+/-0.1%) in option.
- (2) Recommended operation current shall be 2/3 of their rated current.

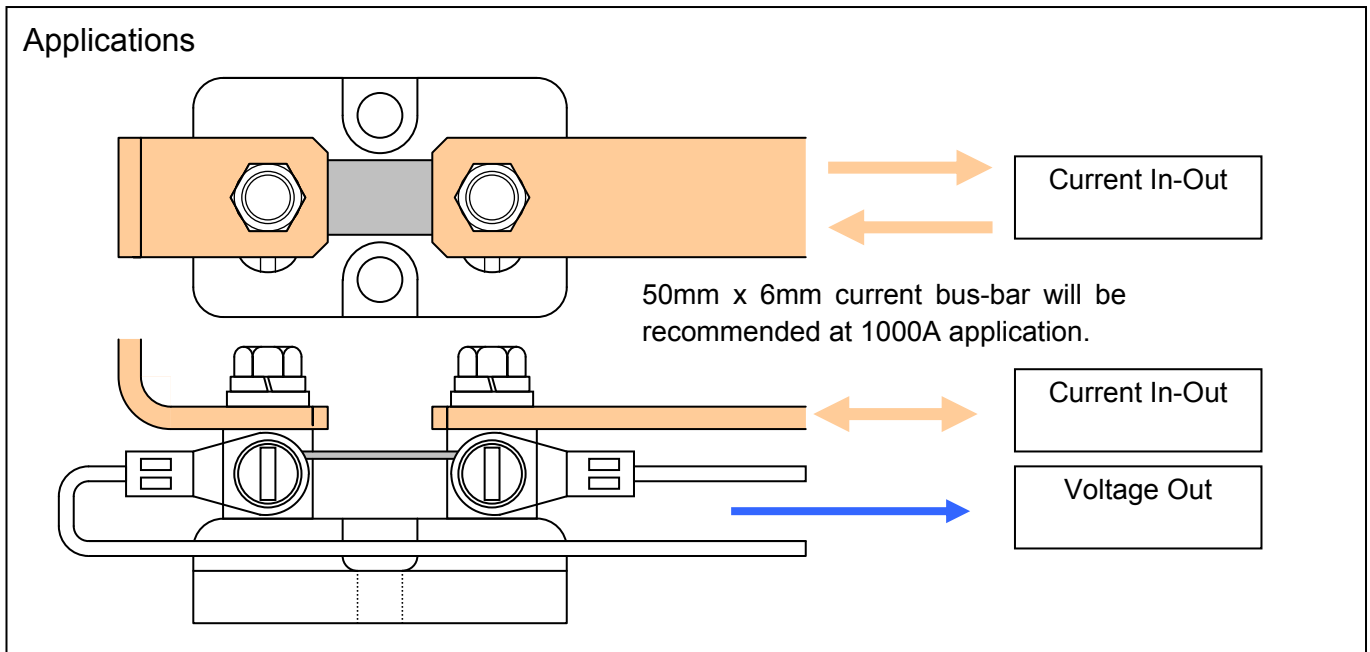
LIGHTWEIGHT PRECISION CURRENT SHUNT RESISTORS

NSLC800, NSLC1000, NSLC1200

Specification and Performance

	NSLC800	NSLC1000	NSLC1200
Rated Current (A)	800	1000	1200
Operating Current (A)	533	667	800
Net Weight (g)	900	900	900
Rated Output	50mV or 60mV		
Resistance (milliohms)	Resistance is based on the amperage and mV rating, nominal resistance is calculated using Ohms law.		
Voltage Tolerance (%)	+/-0.25%(C)		
Operating Temp.	+30 to +70 deg C measured at center of manganin strips		
Storage Temp.	-55 to +80 deg C		

The way to reduce the operating temperature, such as forced air, increasing physical size, adding heat sink to the blocks, designing for water cooling, and etc.



Allowable Current of Cu Bus-Bar (Temperature Rise - A)

Temp rise	3X25	4X25	4X50	5X25	5X50	6X25	6X30	6X40	6X50	6X75	6X100	6X125	6X150	---
30deg C	230	290	510	340	610	380	430	550	680	940	1,200	1,440	1,680	---
65deg C	362	456	802	535	960	598	676	865	1,070	1,479	1,888	2,265	2,643	---

Temp rise	8X50	8X75	8X100	8X125	8X150	10X50	10X75	10X100	10X125	10X150	12X75	12X100	12X125	12X150
30deg C	800	1,100	1,440	1,650	1,930	880	1,220	1,540	1,820	2,120	1,320	1,660	1,950	2,280
65deg C	1,258	1,730	2,202	2,595	3,036	1,384	1,919	2,422	2,863	3,335	2,076	2,611	3,067	3,586

Allowable Current of Cu Twisted Wire (ambient temperature - A)

sq mm	2	4	6	8	14	22	38	60	100	150	200	250	325	400	500
30 deg C	32	45	59	74	107	140	197	264	363	481	572	678	793	908	1,027
40 deg C	29	39	52	65	95	124	174	234	321	426	506	600	702	804	909
50 deg C	24	33	44	55	80	104	147	198	272	360	428	507	593	680	768