

LIGHTWEIGHT PRECISION
CURRENT SHUNT RESISTORS

NSLB170, NSLB200, NSLB250
NSLB300, NSLB400, NSLB450
NSLB500, NSLB600



Features and Applications

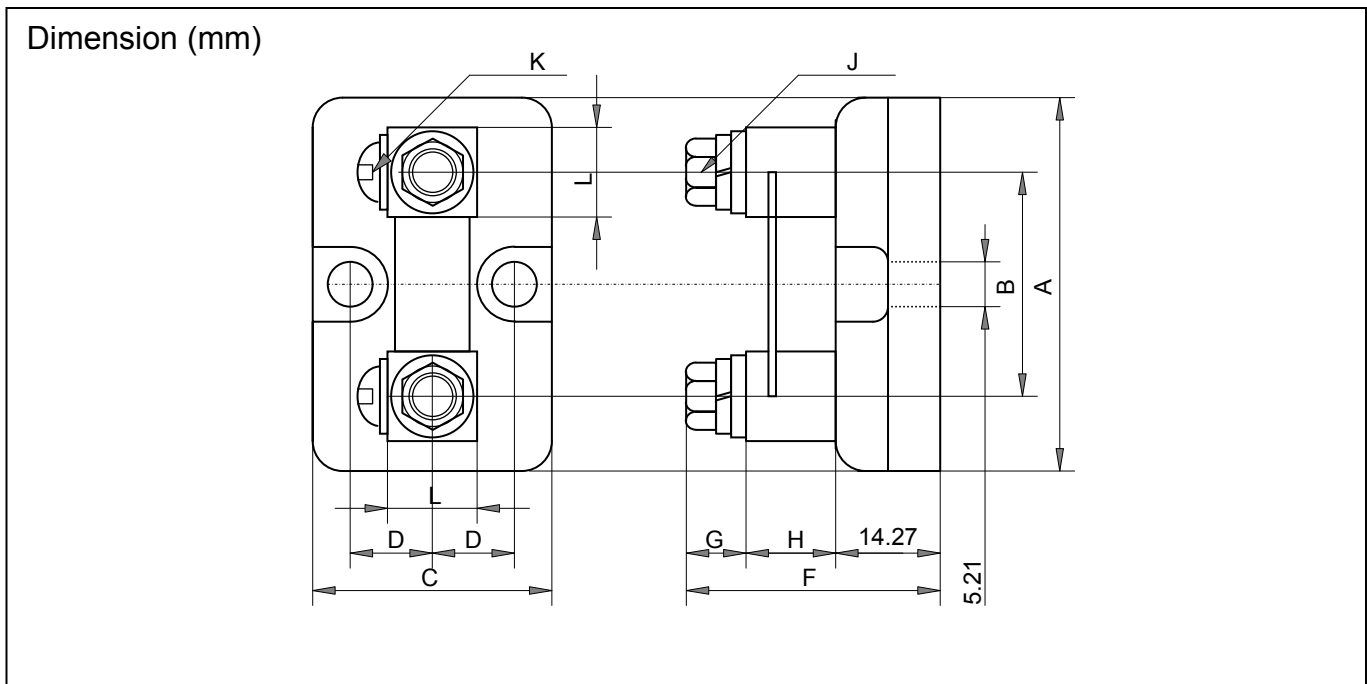
Lightweight large current shunt resistors for ampere-meters, designed for power electric equipment.

Excellent long-term stability, low emf and low TCR.

Easy current measurement is performed by attaching to current bus or wires and connecting to ampere-meter through flexible wires.

All of shunts are calibrated on equipment with current certifications traceable to US-N.I.S.T

For high precision power supply, power converters, and current measurement instruments.



p/n	A	B	C	D	F	G	H	J (inch)	K (inch)
NSLB170-50	82.55	38.10	44.45	15.88	44.45	11.13	19.05	3/8-16x5/8	#10-32 SCR.
NSLB200-50	82.55	38.10	44.45	15.88	44.45	11.13	19.05	3/8-16x5/8	#10-32 SCR.
NSLB250-50	82.55	38.10	44.45	15.88	44.45	11.13	19.05	3/8-16x5/8	#10-32 SCR.
NSLB300-50	82.55	38.10	44.45	15.88	44.45	11.13	19.05	3/8-16x5/8	#10-32 SCR.
NSLB400-50	82.55	38.10	44.45	15.88	44.45	11.13	19.05	3/8-16x5/8	#10-32 SCR.
NSLB450-50	82.55	38.10	44.45	15.88	44.45	11.13	19.05	3/8-16x5/8	#10-32 SCR.
NSLB500-50	82.55	38.10	44.45	15.88	44.45	11.13	19.05	3/8-16x5/8	#10-32 SCR.
NSLB600-50	82.55	38.10	44.45	15.88	44.45	11.13	19.05	3/8-16x5/8	#10-32 SCR.

Tolerances +/-0.015 inch (+/-0.38 mm) for hole diameter, Other tolerances +/-0.030 inch (+/- 0.076 mm) unless otherwise noted.

LIGHTWEIGHT PRECISION CURRENT SHUNT RESISTORS NSLB170, NSLB200, NSLB250, NSLB300, NSLB400, NSLB450 NSLB500, NSLB600

Ordering Information

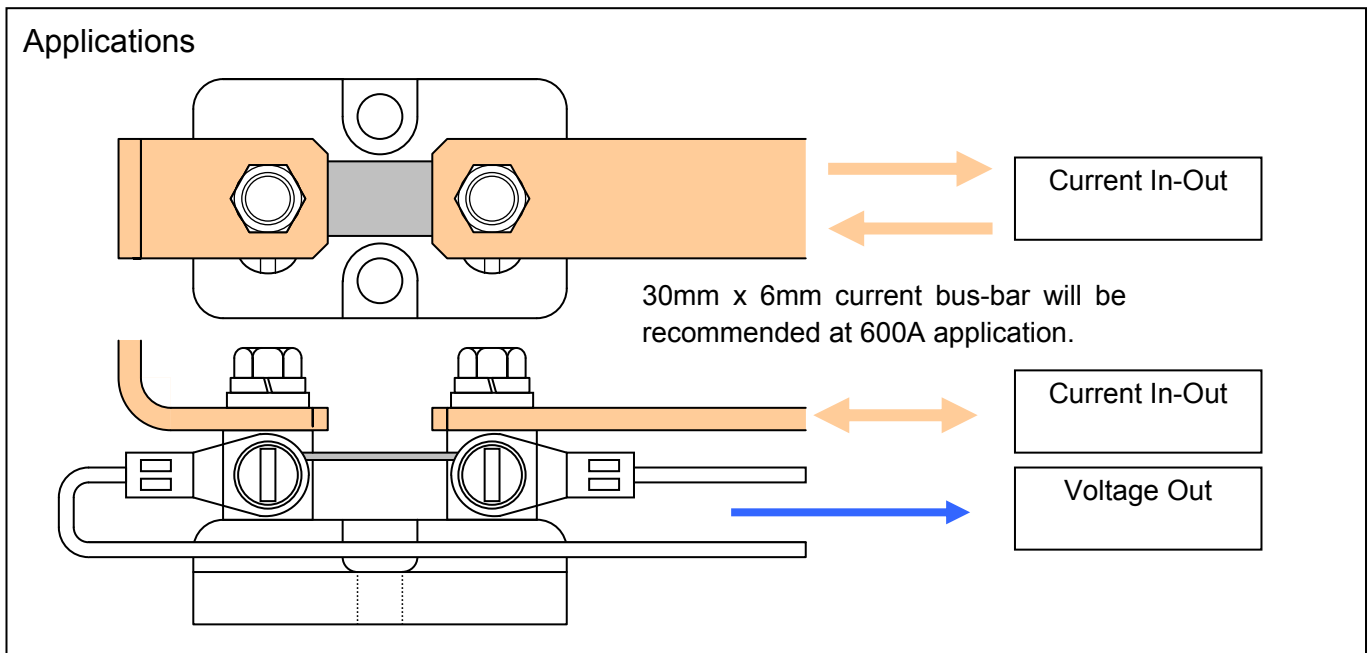
Style	Rating Current in A	Voltage in mV	Tolerance	Code
NSLB	200	-50mV	C	Z00
NSLB	170	-50mV	C (+/-0.25%)	Z00
	200		(1)	
	250			
	300			
	400			
	450			
	500			
	600			

- (1) Accuracy will be assure B (+/-0.1%) in option.
- (2) Recommended operation current shall be 2/3 of their rated current.

Specification and Performance

	NSLB170	NSLB200	NSLB250	NSLB300	NSLB400	NSLB450	NSLB500	NSLB600
Rated Current (A)	170	200	250	300	400	450	500	600
Operating Current (A)	113	133	166	200	267	300	333	400
Net Weight (g)	---	---	---	---	---	---	---	---
Rated Output	50mV or 60mV							
Resistance (milliohms)	Resistance is based on the amperage and mV rating, nominal resistance is calculated using Ohms law.							
Voltage Tolerance (%)	+/-0.25%(C)							
Operating Temp.	+30 to +70 deg C measured at center of manganin strips							
Storage Temp.	-55 to +80 deg C							

The way to reduce the operating temperature, such as forced air, increasing physical size, adding heat sink to the blocks, designing for water cooling, and etc.



20120701