

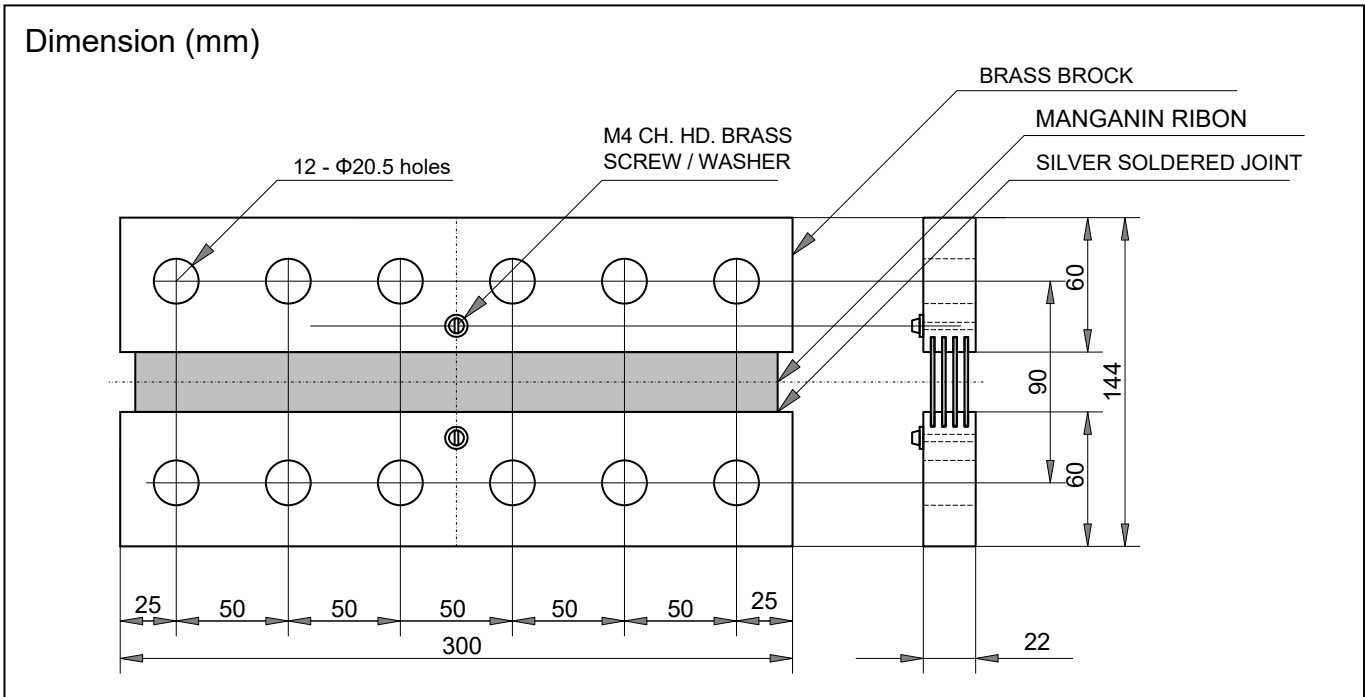
PRECISION CURRENT SHUNT RESISTORS

NSFS15000 (15000A– 75mV)



Features and Applications

Higher quality materials, rugged design and advanced manufacturing technology provided a precision shunts. The substantial solid brass blocks make conservatively rated contact surface areas and fixing hole dimensions to IEC51:(BS89). Excellent long-term stability, low emf, low TCR and shock and vibration tested. For battery management, rapid charging control, high precision power supply, power converters, and current measurement instruments.



Ordering Information

Style	Rated Current in A	Voltage in mV	Tolerance	Code
NSFS	15000	-75	C	Z00
NSFS	15000	-75	C (+/-0.25%)	Z00

- (1) Precision are available B(+/-0.1%) in option.
- (2) Recommended operation current shall be 2/3 of their rated current.

Specification and Performance

Rated Output (mV)	50mV or 75mV
Eq. Resistance(milliohms)	5 uΩ
Voltage Tolerance (%)	+/-0.25%(C)
Operating Temp. (deg C)	+30 to +70 deg C measured at center of manganin ribbons
Strage Temp. (deg C)	-55 to +80 deg C

The method to reduce the operating temperature, such as forced air, increasing physical metal, additional heat sink to the blocks, designing for water cooling, and etc.