

PRECISION CURRENT SHUNT RESISTORS
NSCS1200, NSCS1250, NSCS1500,
NSCS1750, NSCS2000, NSCS2500,
NSCS3000, NSCS3500



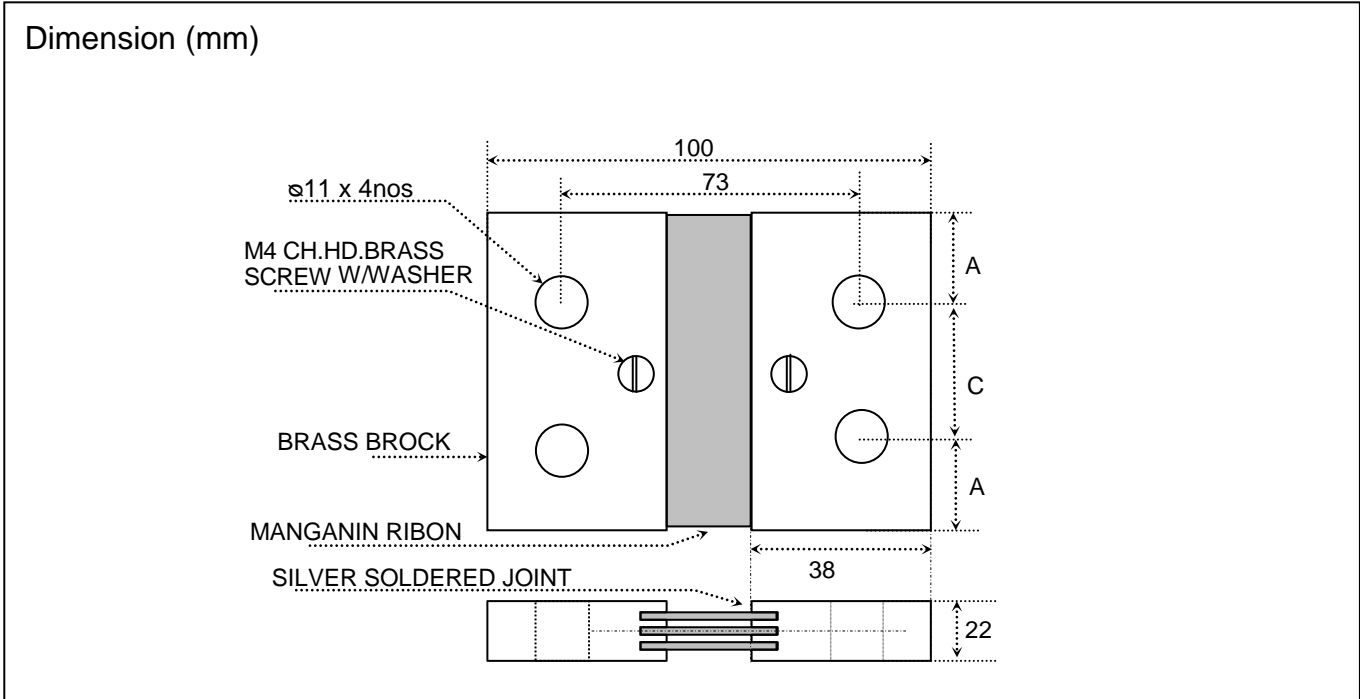
Features and Applications

Highest quality materials, rugged designed and advanced manufacturing techniques are used throughout. The substantial solid brass end blocks have conservatively rated contact surface areas and fixing hole dimensions to IEC51:(BS89).

Excellent long-term stability, low emf, low TCR and shock and vibration tested.

The substantial solid brass end blocks have conservatively rated contact surface areas and fixing hole dimensions to IEC51:(BS89).

For high precision power supply, power converters, and current measurement instruments.



AMP	A	B	C
1200	60	11	38
1250	60	11	38
1500	75	18.5	38
1750	85	23.5	38
2000	95	22.5	50
2500	100	25	50
3000	120	30	60
3500	120	30	60

PRECISION CURRENT SHUNT RESISTORS
**NSCS1200, NSCS1250, NSCS1500,
 NSCS1750, NSCS2000, NSCS2500,
 NSCS3000, NSCS3500**

Ordering Information

Style	Rated Current in A	Voltage in mV	Tolerance	Code
NSCS	1200	75	C	Z00
	1250			
	1500			
	1750			
	2000			
	2500			
	3000			
	3500			

Specification and Performance

	NSCS1200	NSCS1250	NSCS1500	NSCS1750	NSCS2000	NSCS2500	NSCS3000	NSCS3500
Rated Current(A)	1200	1250	1500	1750	2000	2500	3000	3500
Operating Current (A)	800	833	1000	1166	1333	1666	2000	2333
Rated Output (mV)	75							
Resistance (milliohms)	0.0625	0.0600	0.0500	0.04286	0.0375	0.0300	0.0250	0.02143
Voltage Tolerance (%)	+/-0.25%(C)							
Operating Temp. (degC)	+30 to +70 deg C measured at center of manganin strips							
Storage Temp (degC)	-55 to +80 deg C							
Weight (Kg)	Call factory							

(1) Recommended operation current shall be 2/3 of their rated current.