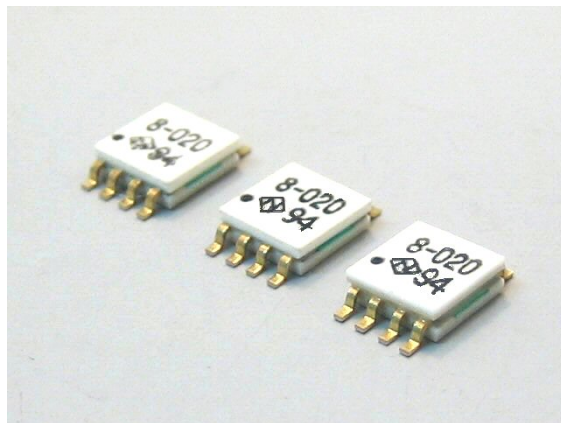


SOP RESISTOR NETWORKS

MC8, MC16, MC20



Features and Applications

5ppm/C TCR and 0.05% tolerance standard super precision Ni-Cr thin film resistor networks.

50mW/resistor rating sufficient power derating for 5-15 volt swinging circuits.

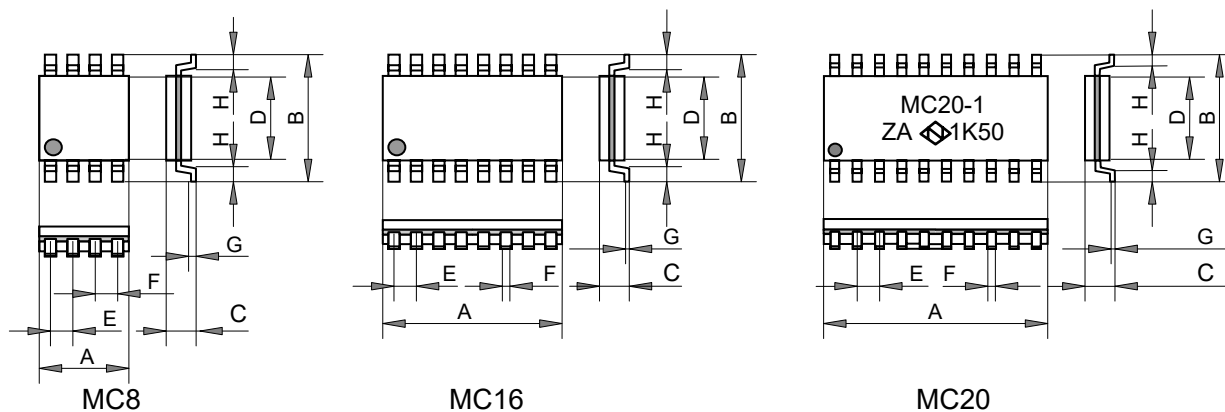
Simple standard circuits for 8 pins, 16 pins and 20 pins available to satisfy flexible circuit design requirements.

Supplied in plastic stick or tape reel for automated assembling.

Custom designed circuits also available in 8, 14, 16, 18, and 20pins ceramic packages. Customer service will be advised.

Industrial electronics, industrial instruments, measurement, automatic test, high-speed digital data transmission, intelligent hubs and routers and data switching.

Dimensions (mm)



(mm)	A	B	C	D	E	F	G	H
MC8	5.5+/-0.2	8.0+/-0.2	2.3 max	5.3+/-0.2	1.27+/-0.2	0.4+/-0.05	0.2+/-0.1	0.3 min
MC16	10.5+/-0.2	8.0+/-0.2	2.3 max	5.3+/-0.2	1.27+/-0.2	0.4+/-0.05	0.2+/-0.1	0.3 min
MC20	13.0+/-0.5	8.0+/-0.2	2.3 max	5.3+/-0.2	1.27+/-0.2	0.4+/-0.05	0.2+/-0.1	0.3 min

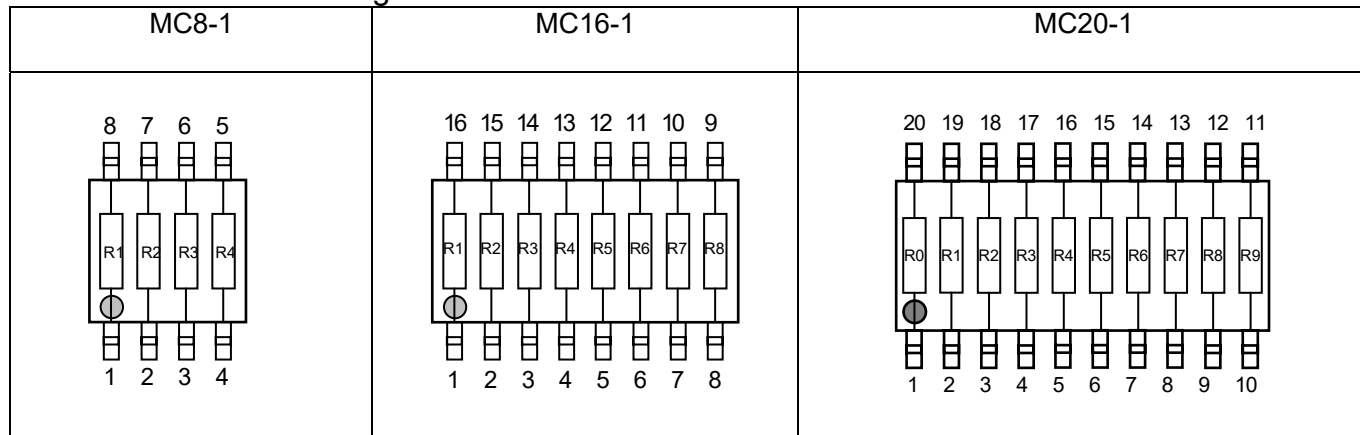
Ordering Information

Type	Schematic	TCR	Resistance	Tolerance	Packaging	Note
MC8	-1	Z	102	A	000	Bulk
MC8	-1	Z (5ppm)	101---223	A (0.05%)	000	Bulk
MC16				B (0.10%)	001	Tape
MC20					003	Tube

SOP RESISTOR NETWORKS

MC8, MC16, MC20

Schematics and Pin Configurations



Note: R1=R2=R3=R4=.....is standard schematic, when request for custom resistance value please contact to factory.

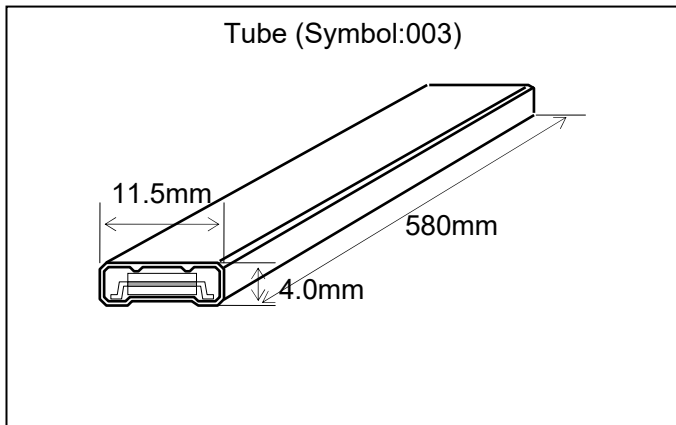
Performances

Type	MC8-1	MC16-1	MC20-1
Resistance Range	100-22K ohm	100-22K ohm	100-22K ohm
TC Tracking	(2ppm/K)	(2ppm/K)	(2ppm/K)
Ratio	(0.02%)	(0.02%)	(0.02%)
TC-Absolute	+/-5ppm/K(Z)	+/-5ppm/K(Z)	+/-5ppm/K(Z)
Tolerance-Absolute	+/-0.05% (A), +/-0.1% (B)	+/-0.05% (A), +/-0.1% (B)	+/-0.05% (A), +/-0.1% (B)
Rating Power/Resistor	50mW	50mW	50mW
Rating Power/Package	0.2W	0.4W	0.5W
Max. Operating Volt.	$\sqrt{P \cdot R}$ or 100V		
Rating Temp.	+75 deg C		
Operating Temp. Range	-20 deg C to +120 deg C		
Storage Temp. Range	-55 deg C to +120 deg C		

If Tracking and Ratio specifications are necessary please contact to factory, info@nikkohm.co.jp.

Electrical Specifications

項目	Items	Specifications	Conditions
短時間過負荷	Short Time Overload	+/- (0.05%) absolute	2.5 times rating power, 5 seconds
絶縁抵抗	Insulation Resistance	>10,000Mohm	
絶縁耐電圧	Withstand Voltage	+/- (0.05%) absolute	100V, 60 seconds
熱衝撃	Heat Shock	+/- (0.1%) absolute	5 cycles for temp. -65, +25, +125, +25 C
はんだ耐熱性	Soldering Heat	+/- (0.05%) absolute	350 deg C, 3 seconds
はんだ付性	Solder ability	Covered 95% area	230 deg C, 3 seconds
耐溶剤性	Solvent	No mechanical damage	
耐湿性	Humidity	+/- (0.1%) absolute	40 deg C, 90-95RH, 90min.ON, 30min.OFF, 1000hours
負荷寿命	Load Life	+/- (0.1%) absolute	70 deg C, 90min.ON, 30min.OFF, 1000hours



Note:

In P/N definition, additional 3 digits code shows lead-free structure and packaging method. When first digit is "0" then terminals are solder plated, when "Z" tin plated. Third digit "0" shows bulk and "3" shows stick packaging. If you have any question, please call info@nikkohm.com.

RoHS compliance cannot be available, when RoHS is necessary please contact to factory info@nikkohm.com

SOIC, MCN8, MCN16, MCN20 were discontinued at December 2012, please refer MCM as replacement.