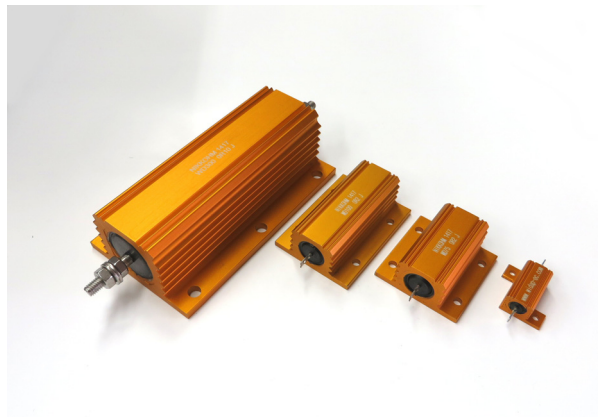


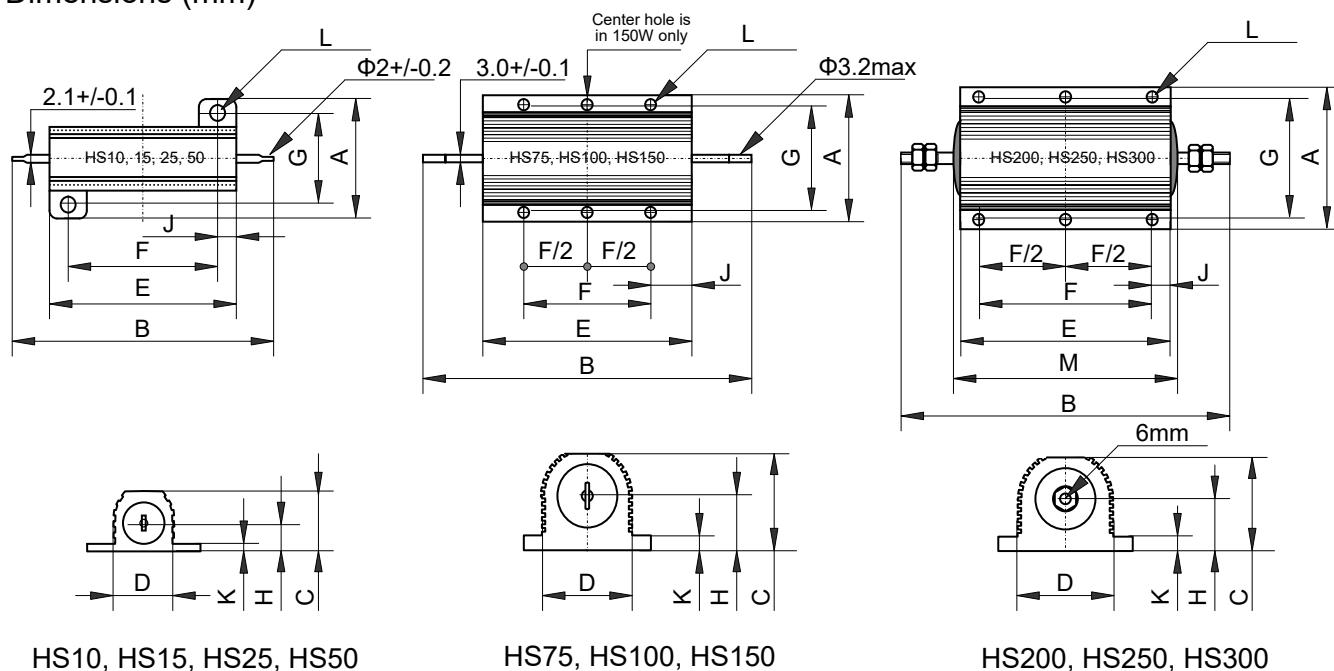
HS10, HS15, HS25, HS50,
 HS75, HS100, HS150,
 HS200, HS250, HS300



Features and Applications

- Power rating 10W to 300W, for rush current protection.
- High temperature operation, -25°C to 200 °C and all welded construction.
- Low TCR 25ppm/°C(over 1kΩ), Tolerance 5% in standard and available up to 1%.
- Non-inductive winding is available, called NHS instead of HS.
- IEC-115 と MIL-R-18546 requirements.
- Applications include inverters for power electronics

Dimensions (mm)



(mm)	A	B	C	D	E	F	G	H	J	K	L	M
	Max	Max	Max	Max	Max	±0.3	±0.3	Max	Max	Max	±0.25	Max
HS10	16.5	30.0	8.8	8.5	15.9	11.3	12.4	4.5	2.4	1.8	2.4	---
HS15	21.0	36.5	11.0	11.2	19.9	14.3	15.9	5.5	2.8	1.8	2.4	---
HS25	28.0	51.0	14.8	14.2	27.3	18.3	19.8	7.7	5.2	2.6	3.2	---
HS50	28.0	72.5	14.8	14.2	49.1	39.7	21.4	8.4	5.2	2.6	3.2	---
HS75	47.5	72.0	24.1	27.3	48.7	29.0	37.0	11.8	10.4	3.7	4.4	---
HS100	47.5	88.0	24.1	27.3	65.2	35.0	37.0	11.8	15.4	3.7	4.4	---
HS150	47.5	121.0	24.1	27.3	97.7	58.0	37.0	11.8	20.4	3.7	4.4	---
HS200	72.5	145.7	41.8	45.5	89.7	70.0	57.2	20.5	10.4	5.5	5.1	103.4
HS250	72.5	167.0	41.8	45.5	109.7	89.0	57.2	20.5	10.4	5.5	5.1	122.4
HS300	72.5	184.4	41.8	45.5	127.7	104.0	59.0	20.5	12.4	5.5	6.6	141.4

HS10, HS15, HS25, HS50, HS75, HS100, HS150, HS200, HS250, HS300

Power Rating and Resistance

Type () MIL-R-18546	Power Rating (W @ 25°C)		Resistance Range (Ω) *	Limiting Element Volt	Voltage Proof (AC peak Volt)	Weight approx. grams	Std. Heat sink cm ² – thickness mm
	With heat sink (W @ 25°C)	Without heat sink (W @ 25°C)					
HS10 (RE60)	10	5	R005 - 10k	160	1400	4	415 - 1
HS15 (RE65)	15	7	R005 - 10k	260	1400	7	415 - 1
HS25 (RE70)	25	9	R005 - 36k	550	3500	14	535 - 1
HS50 (RE75)	50	14	R01 - 86k	1250	3500	32	535 - 1
HS75	75	24	R01 - 50K	1400	6363	85	996 - 3
HS100	100	30	R01 - 70K	1800	6363	115	996 - 3
HS150	150	45	R01 - 100K	2500	6363	175	996 - 3
HS200	200	50	R01 - 50K	1900	7070	475	3750 - 3
HS250	250	55	R01 - 50K	2200	7070	600	4766 - 3
HS300	300	60	R01 - 60K	2500	7070	700	5780 - 3

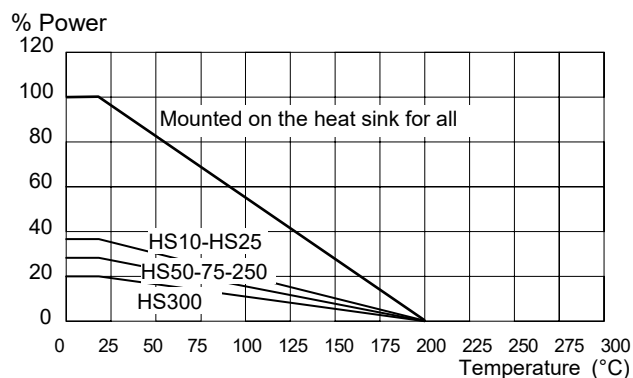
* non inductive winding reduce maximum resistance range to 1/4,

Ordering Information

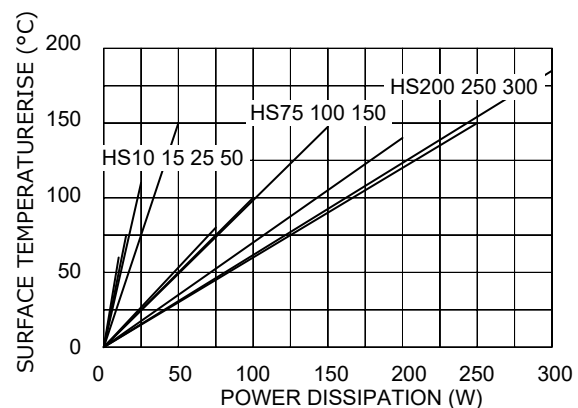
Model HS75	Resistance 50Ω	Tolerance 5%, J	Package Code Z00
HS5 / HSN5 HS10 / HSN10 HS25 / HSN25 HS50 / HSN50 HS100 / HSN100 HS150 / HSN150 HS200 / HSN200 HS250 / HSN250 HS300 / HSN300	Any value in above table	1.00%, F 5.00% J, STD 10% K	Z shows RoHS 2 compliant

For non-inductive windings, please attach 'N' after 'HS' as 'HSN'
 Non-inductive windings are available on minimum resistance 0.1 Ω or more.

Derating



Surface Temperature Rise



Specifications and Performances

Tolerance	(for values greater than 0.05 Ω) (for values less than 0.05 Ω)	>=R05 (+/-5%) < R047 (+/-10%)
TCR	Dry / Normal	100 ppm/°C (< 1K0), 25 ppm/°C (>1K0)
Insulation Resistance	Dry / Normal	minimum 10 GΩ.
Load Life	90min ON, 30min OFF 1000 hours	ΔR < 1% + 0R05
Short time Overload	X 10 rated power for 5 sec , once	ΔR < 1% + 0R05
Terminal Strength	20 N Pull	ΔR < 0.25% +0R05
Resistance of soldering Heat	260 °C 10 seconds	ΔR < 0.25% +0R05
Thermal Shock	-55 °C - +200 °C, 5 cycles	ΔR < 0.25% +0R05
Vibration	10Hz to 500Hz, 10g, 6 hours	ΔR < 0.25% +0R05

20210501