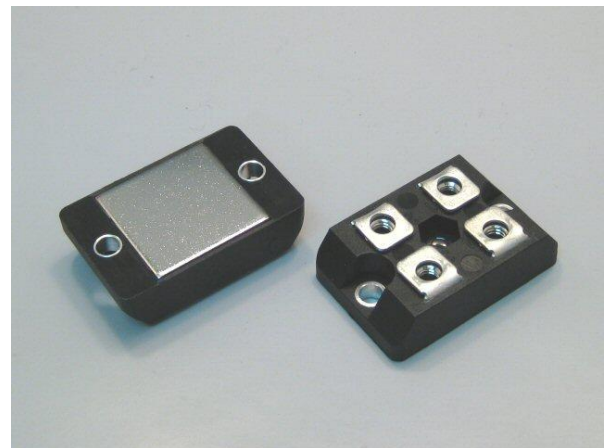


300W

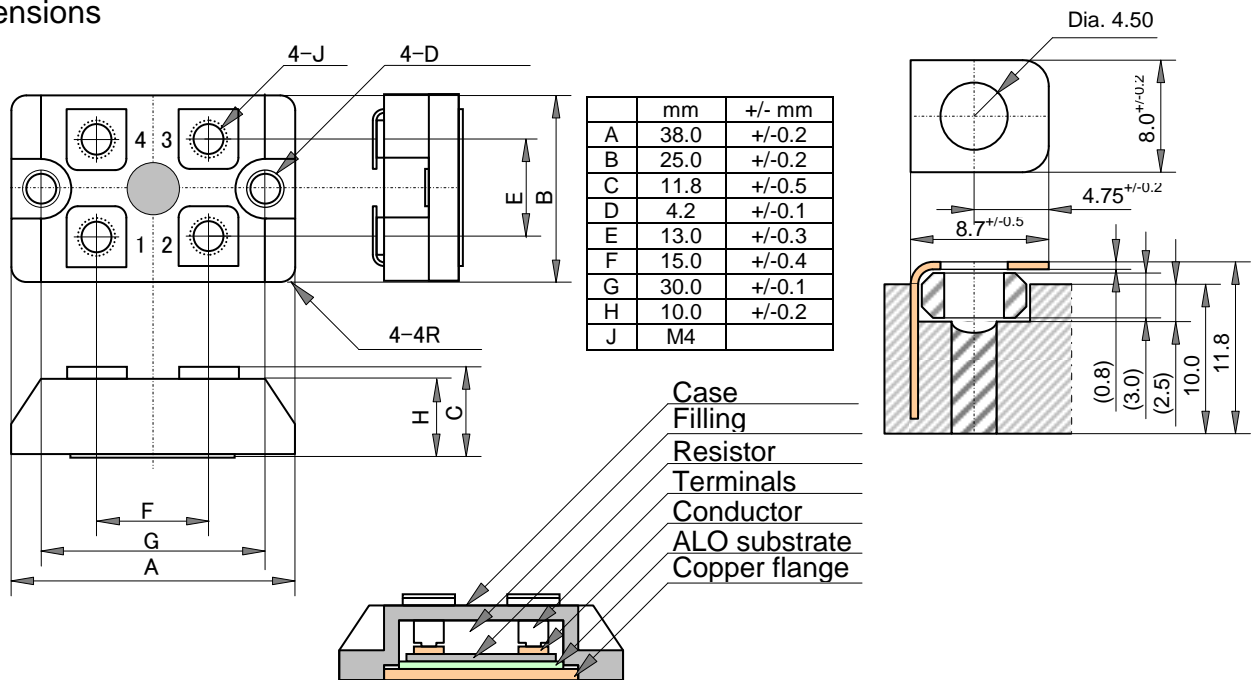
CHASSIS MOUNTING NON-INDUCTIVE  
HIGH POWER RESISTORS  
RPM250, RPM300



Features and Applications

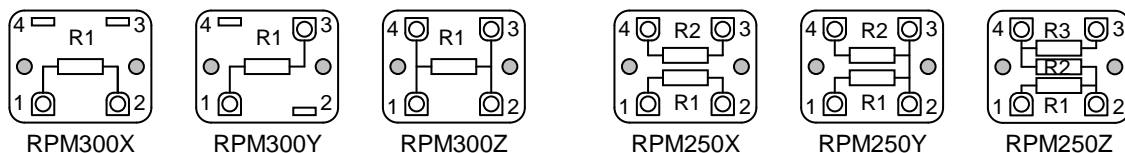
- Small size SOT227, light weight, 300W high power resistor install on air-cooled heat sink or water-cooling is necessary.
- Completely resin filled structure provides high insulation voltage between heat-sink / resistor and partial discharge performance, long-life stable operation.
- 2.5kV insulation voltage is standard and 4.0 kV insulation is available in option.
- Various 6 types of circuit configuration gives ease customer's applications.
- Very low series inductance and parallel capacitance make wide frequency range operation.
- Applications include snubber resistors, filter resistors, bleeder resistor, current detect for automotive electronics and many types of power electronics as UPS, power supply, professional audio.

Dimensions



Note: The depth of the screw hole is about 4.3mm from the surface of the terminal plate.

Schematics



RPM250, RPM300  
CHASSIS MOUNTING NON-INDUCTIVE HIGH POWER RESISTORS

Ordering Information

Type	Terminal Connection	Terminal Screws	Resistance	Tolerance	RoHS	Package
RPM300	Z	Std. with screws (**)	101 (*)	J	Z	03 (20pcs/tube)
RPM250	X		+E12	J (5%)	Z (RoHS)	
RPM300	Y		R1=R2=R3			
	Z					

(\*) When a network circuit configuration contains two resistors, ordering is RPM250X101JZ03.

(\*\*) Terminal screws provide by standard, M4-5mmL only. If the screws are not necessary, please mention about it on the order sheet.

(\*\*\*) When ordering of the optional 4KV insulation, please specify P/N as RPM300X4KV 101JZ03.

Specifications and Performances

	RPM250	RPM300	Conditions
Rating Power	250 W	300W	At flange temp. -55°C to +85°C
Configuration	XYZ	XYZ	
Weight	30.0gr	30.0gr	
Thermal Resistance.	0.23°C/W	0.23 °C/W	
Single or Dual Configuration	More than one		Same resistance, R1= R2= R3
Resistance Range	0.1 ohm to 1Mohm		only single Z connection at 0.1-1.0Ω
Resistance	E12+		Additionally, 2.5 and 5.0.
TCR	+/-100 ppm/°C		For -55 to +125 °C, typical, over10 ohm
Tolerance	+/-5%(J)		1% option
Operation Temp.	-55 - +155 °C		At resistor element surface
Max. Voltage	Less than $E = \sqrt{P \cdot R}$ or 1000V		
Max. Current	100A		
Insulation Voltage	2500 VAC / 4000VAC		60 seconds-1mA. 4KVAC optionally available
Capacitance between terminals	13.1pF		typical
Inductance	13.7nH		typical
Load Life	+/-1.0 %		25°C , 90 min.ON, 30min.OFF, 1000h.
Humidity	+/-1.0 %		40°C , 90 to 95%RH, DC0.1W, 1000h.
Tem. Cycle	+/-1.0 %		Note 1
Short Time Over Load	Rated Power		Note 2
Insulation	Over 1000 Meg Ω		Between terminals and flange.
Vibration	+/-0.25 %		Note 4
Flammability	UL94V-0		
Weight	30.0 grams		

Note1: -55°C, 30 min., +120 °C 30min., 20 cycles.

Note2: Several seconds overload can not be applied.

Note3: Torque: Terminal 1.0Nm max, 0.6Nm recommend. Mounting 1.6Nm max, 1.0Nm recommend.

Note 4: IEC60068-2-6, displacement 0.75mm or acceleration 100m/sec<sup>2</sup>, 10Hz-54Hz sweep, 10 cycles X-Y-Z direction.

