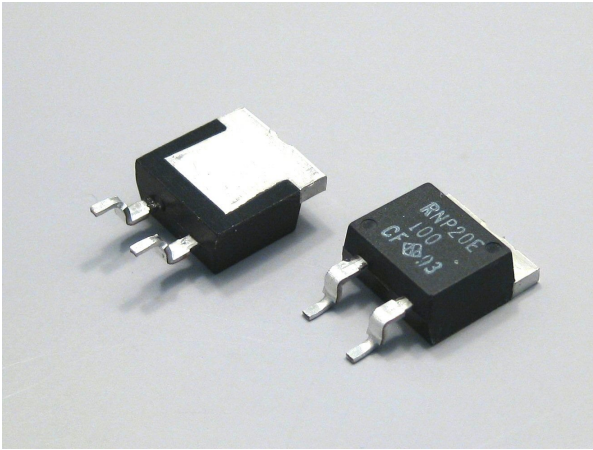


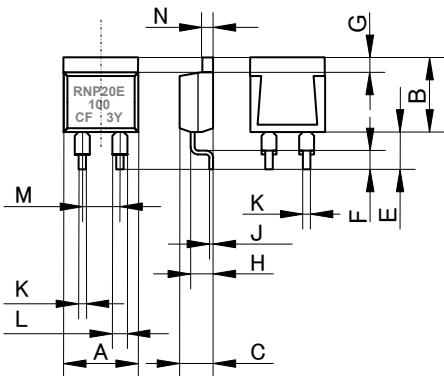
TO263 SURFACE MOUNT
35W HIGH POWER RESISTORS
RNP-20E



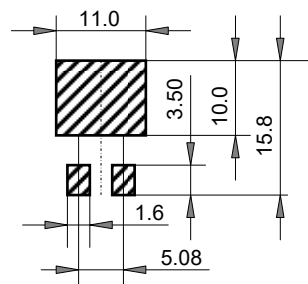
Features and Applications

35W high power resistors in TO263 (D2-PAK) style surface mount mold package with matte Tin plated flange.
Non-inductive design suits high frequency applications and high-speed pulse circuits.
Low, 3.3°C heat resistance from resistor hot spot to flange and long life performance are presented with thin film metallization technology.
Wide, 10 milliohm to 51K Ohm resistance range, non-inductive impedance characteristic and heat extracting through insulated metal flange aids circuit designers.
Applications include snubber, gate control, bleeder, filter, rush current protection, braking resistors of automotive, rail traction, wind turbine, PV, UPS and motor control inverters.

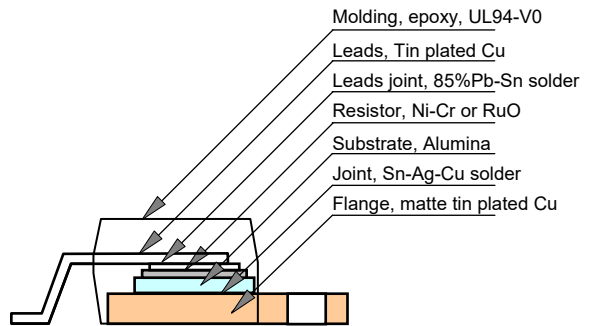
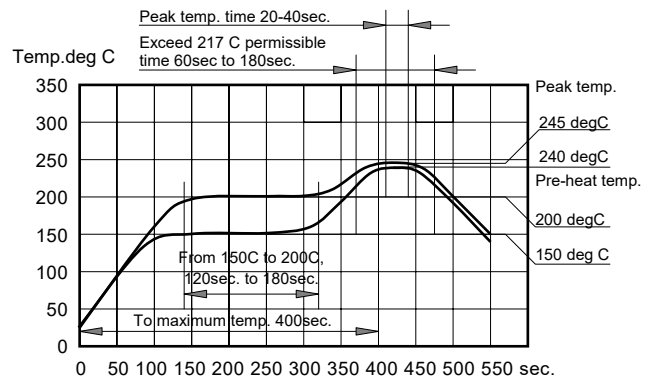
Dimensional Specifications (mm)



RNP-20E		
	mm	+/-mm
A	10.1	+/-0.2
B	10.3	+/-0.2
C	4.5	+/-0.2
D	-	-
E	5.0	+/-1.0
F	2.5	+/-0.5
G	2.2	+/-0.2
H	2.75	+/-0.2
J	0.5	+/-0.05
K	0.75	+/-0.05
L	1.5	+/-0.05
M	5.08	+/-0.10
N	1.5	+/-0.05



Recommended Land Pattern. (mm)
Additional heat cooling system will be necessary



Between flange and resistor is insulated.

Ordering Information

Model	TCR	Resistance Value	Tolerance	Packaging	Remarks
RNP-20E	A	1R0 (*)	F	Z00	
RNP-20E	H(>250ppm)	R02-R09 (+E6)	J(5%)	Z00(Bulk)	Z: RoHS
	A(100ppm)	R10-9R1(+E24)	F(1%), J(5%)	Z01(Tape)	
	C(50ppm)	10R-51K (+E24)	F(1%)		

Resistance value (*) is available following modified E24, +E24.

1.0	1.1	1.2	1.3	1.5	1.6	1.8	2.0	2.2	2.4	2.5	2.7	3.0	3.3
3.6	3.9	4.0	4.3	4.7	5.0	5.1	5.6	6.2	6.8	7.5	8.0	8.2	9.1

