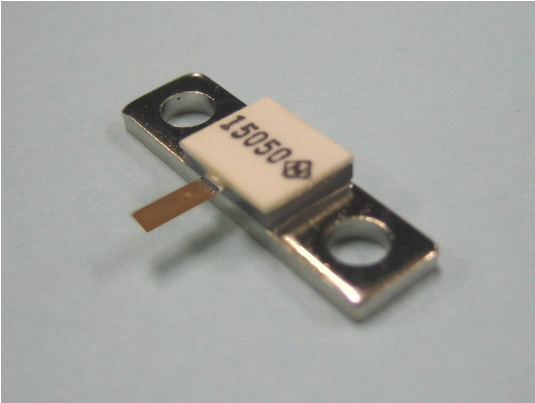


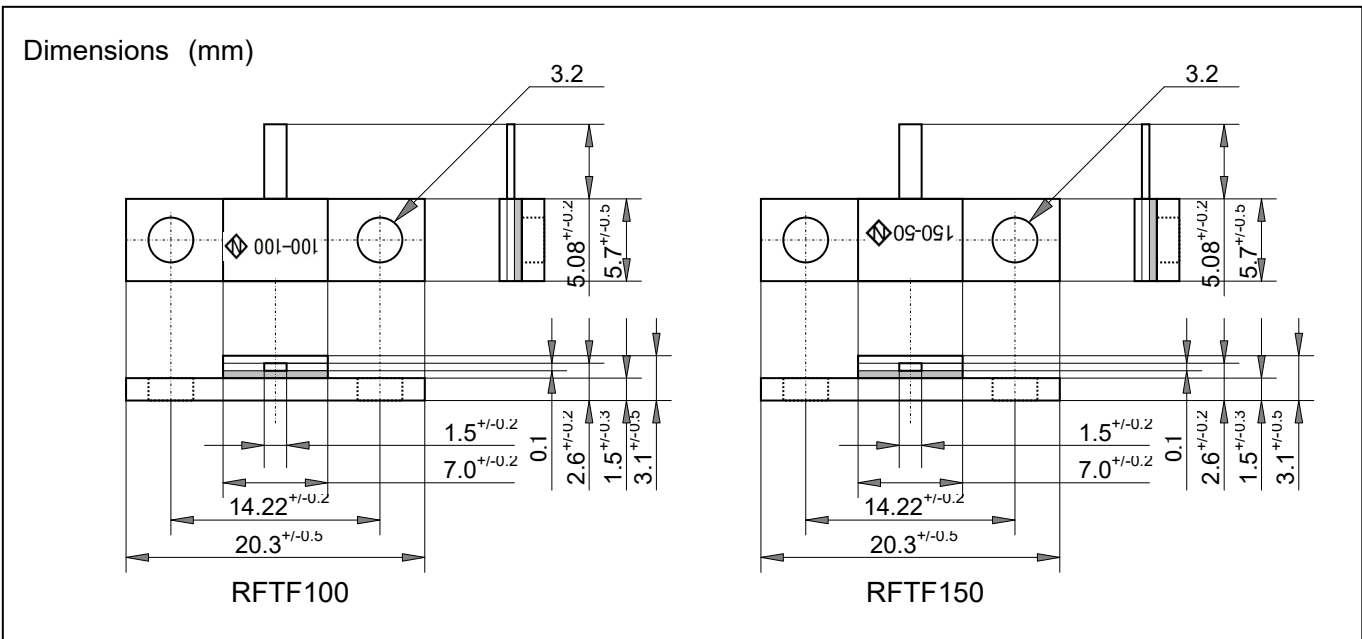
100W, 150W
FLANGE POWER TERMINATIONS

RFTF100, RFTF150



Features and Applications

100W/150W RF and microwave termination of 50ohm with flanged cooling.
 Low return loss, long life and temperature stability a result of Ni-Cr thin film and super heat conductive ceramic substrates.
 Industrial RF power sources, RF amplifiers, radio transmitters, fixed transmitter of mobile systems, and measurements.



Ordering Information

Model	Power	TCR	Resistance	Tolerance	Package
RFTF	100	C	500	F	Z00
RFTF	100	C (+/-50ppm)	50 ohm	F (+/-1%)	Z00 (RoHS)
	150				

100W, 150W
FLANGE POWER TERMINATIONS

RFTF100, RFTF150

Specifications and Performances

Type, Note(2)	RFTF100	RFTF150
Rating Power	100W	150W
Return Loss at 1GHz	< 1.1	< 1.3
Inductance		
Capacitance	< 1.0pF	< 1.0pF
Rating Temp.	-55--100 deg C	
Max. Voltage	$E = \sqrt{P \cdot R}$, where P is rating power, R is resistance	
Resistance	50ohm, (75ohm option)	
TC	+/-50ppm/C(C)	
Tolerance	+/-1% (F) standard, +/-2% and +/-5% are available.	
Frequency	DC to 3GHz	
Short Time OL	5 times rating power within 5 seconds	
Operating Temp.	-55°C to +155°C	
Storage Temp.	-55°C to +155°C	

Note(1) Other resistance will be available, please call factory.

