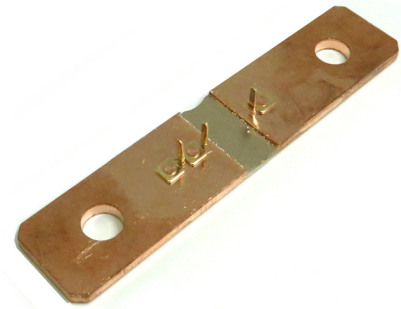


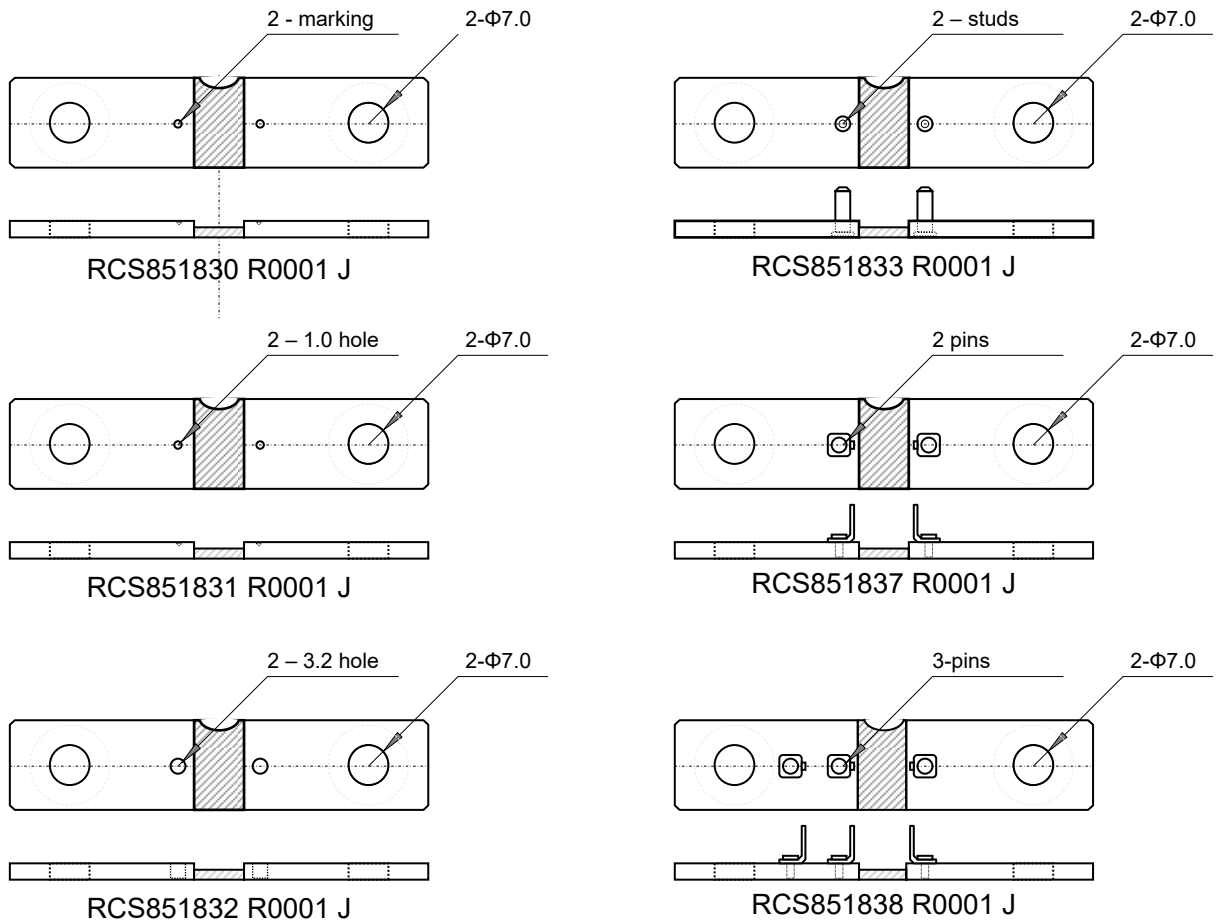
36W CURRENT SHUNT RESISTORS  
RCS851830 R0001J (600A – 60mV)



Features and Applications

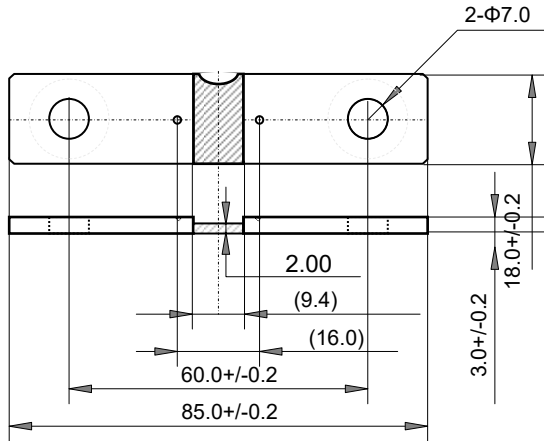
Four terminals bus-bar metal strip current shunt of all EB weld and passivate surface, Ni plating is available in option.  
 Up to 36W continuous power and maximum current 600A – 60mV (100uΩ)  
 85mm x 18mm x 4mm dimension has various voltage terminal style.  
 Very low inductance and high pulse current rating.  
 Excellent long term stability, less than 250ppm/°C TCR, excellent frequency characteristics and low thermal EMF (<10uV/°C)  
 Applications include battery charging current control of automotive electronics, load current detection of power electronics, inverter, UPS, motor control and electronic load equipments.

Dimensions (mm)

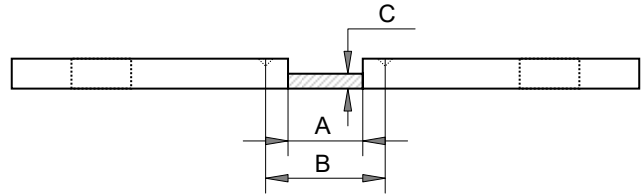


## 36W CURRENT SHUNT RESISTORS RCS851830 (600A – 60mV)

### Common dimensions



### Dimensions of Resistor



抵抗値 Resistance (Ω)	材質 Material	A (mm)	B (mm)	C (mm)
0.00005	Mn-Cu	3.68	8.71	2.00
0.0001	Mn-Cu	9.40	12.57	2.00
0.000125	Mn-Cu	12.19	14.86	2.00

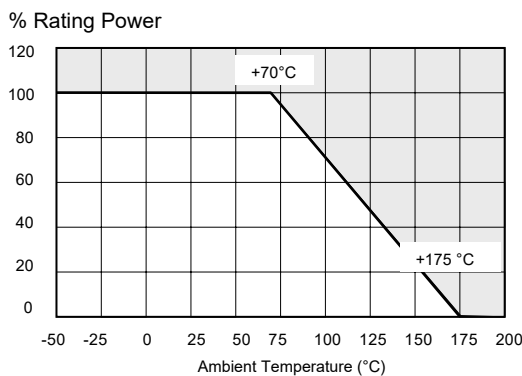
### Ordering Information

形式 Type	温度係数 TCR	抵抗値 Resistance	許容差 Tolerance	Note
RCS851830	A	R0001	J	Z00
RCS851830	A (200ppm/°C)	R00005	F (+/-1%)	Z00
RCS851831		R00010	H (+/-3%)	
RCS851832		R000125	J (+/-5%)	
RCS851833				
RCS851837				
RCS851838				

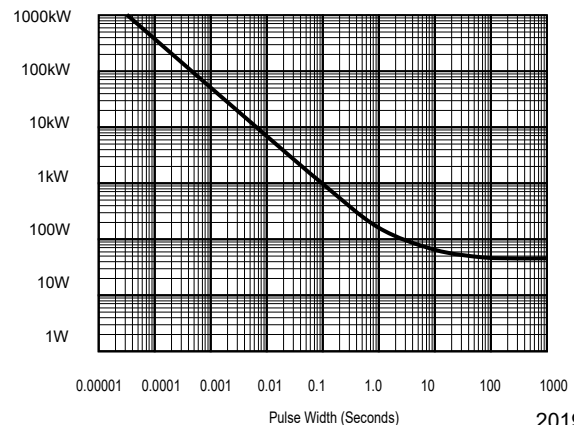
### Performance

	Specifications	Conditions
Power rating	36W	
Tolerance	+/-1%, +/-3%, +/-5%	
Typical resistance Value	100uΩ	50uΩ, 125uΩ
Thermal shock	+/-0.5%	-55°C - +150°C, 1000cycle, 15 min at each temp.
Short time overload	+/-0.5%	5 times rated power, 5 seconds
Low temperature storage	+/-0.5%	-55°C for 24 hours
High temperature exposure	+/-1.0%	+170°C for 1000 hours
Humidity	+/-0.5%	+85°C, 85% RH, 0.1 x rated power, 1000hours
Mechanical shock	+/-0.5%	100G for 6ms, 5 times
Vibration	+/-0.5%	Freq. 10Hz to 2000Hz in 1 min, x-y-z, 12 h
Load life	+/-1.0%	1000 hours at 70°C, 1.5hours ON, 0.5hours OFF
Weight	40 grams	---

### Derating



### Pulse Energy (RCS84184xR0001J)



20190501