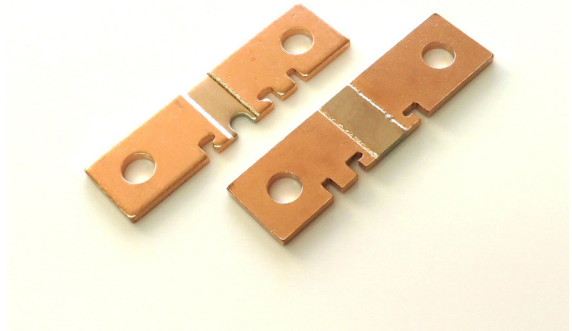


3W BUS BAR CURRENT SHUNT RESISTORS

RCS551520, RCS551521

RCS551522, RCS551523 (170A-0.1mΩ)

RCS551525, RCS551526



Features and Applications

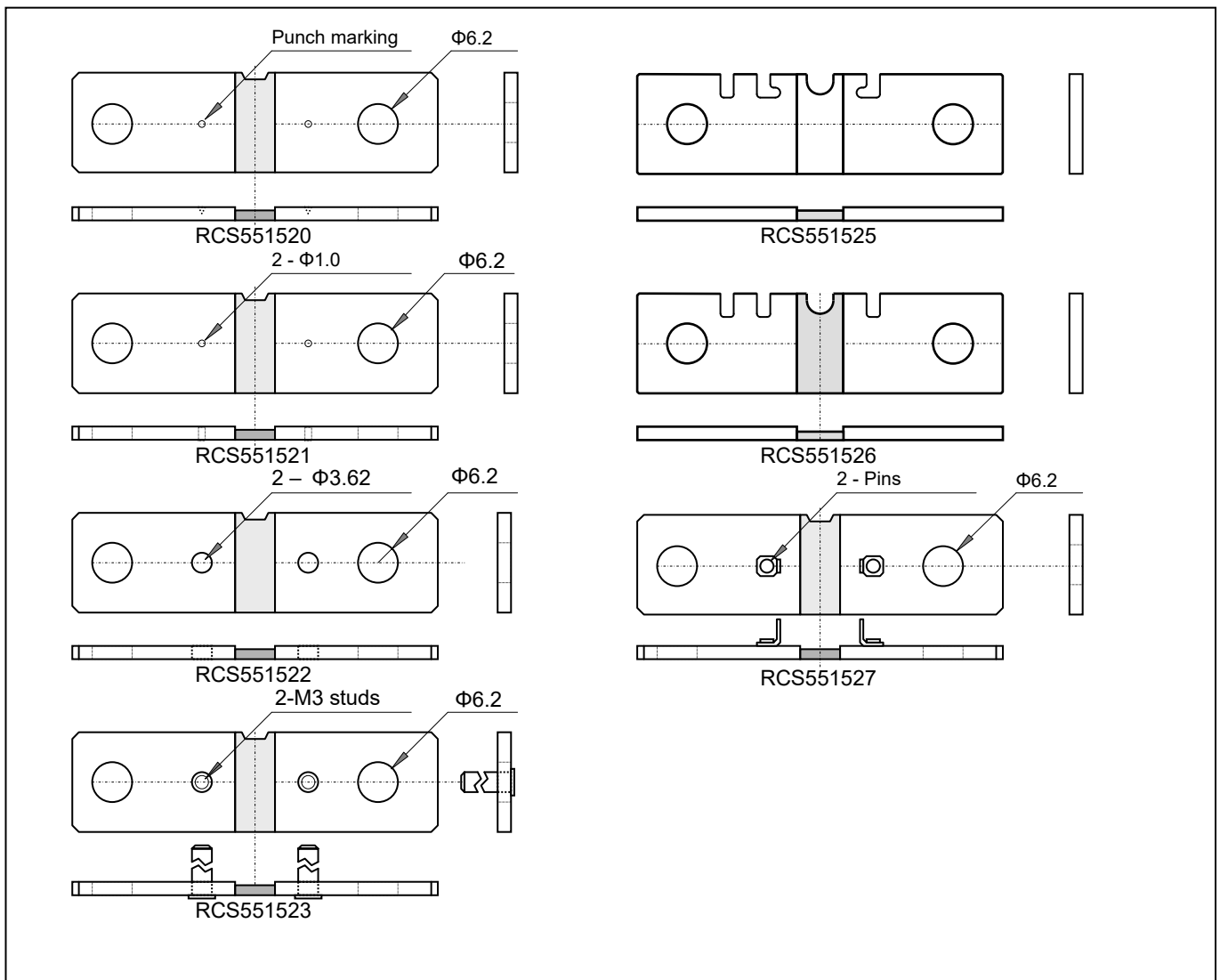
Rating current 3W - 170A (0.1mohm), bus bar shunt resistors for electric equipments.

Excellent long term stability and less than 100ppm/C TCR are realized by using Ni alloy and fully fine welding structure.

Simple 4-ports Kelvin structure is easy to install large current bus-bar.

Current detection in precision power source, constant current source, industrial power conversion circuit, battery charging control, constant electronic load and etc.

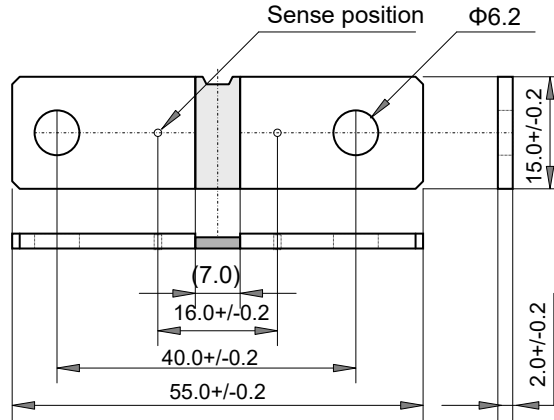
外形寸法 Dimensions (mm)



3W CURRENT SENSING RESISTORS

RCS551520, RCS551521, RCS551522, RCS551523, RCS551525, RCS551526, RCS551527

Common Dimensions



RCS551520

Ordering Information

Type	TCR	Resistance Value	Tolerance	Note
RCS551520	A	R0001	F	Z00
RCS551520	A (0/+100ppm/°C)	R00005	F(+/-1%) option	Z00
RCS551521		R00006	H(+/-3%)	
RCS551522		R00008	J(+/-5%)	
RCS551523		R00010		
RCS551525		R0002 option		
RCS551526				
RCS551527				

Specifications and Performances

		Specification
形式	Type	RCS551520
抵抗値	Resistance	0.1 to 0.05 mΩ
温度係数	TCR	+0 to +100ppm/°C (A)
許容差	Tolerance	+/-1% (F)、 +/-3.0%(H) and +/-5% (J)
定格電力	Rating Power	3W
最大電力	Maximum Power	100W / 0.1seconds
定格電流	Rating Current	170A – 0.1mΩ
重量	Weight	15 grams
動作温度範囲	Operating Temperature	-55°C - +175°C
保存温度範囲	Storage Temperature	-55°C - +125°C

