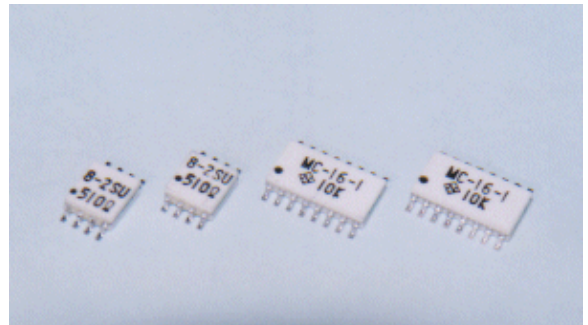


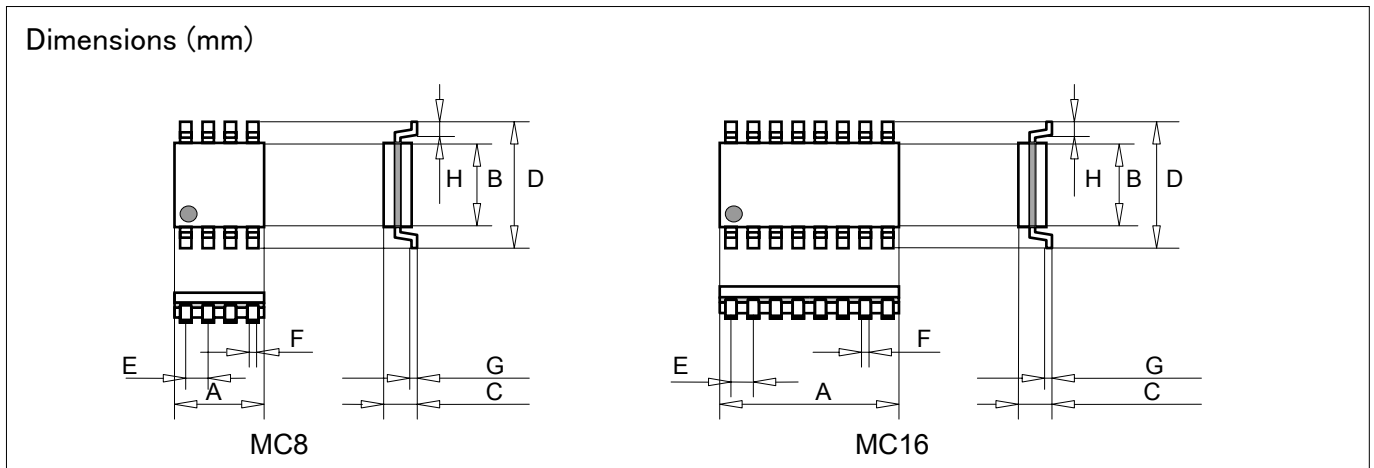
SOP RESISTOR NETWORKS

MC8, MC16



Features and Applications

- 1ppm/K tracking and 0.01% ratio super precision NiCr thin film resistor networks.
- 100mW/resistor rating sufficient power derating for 5-15 volt swinging circuits.
- Simple standard independent circuits for 8pin and 16pin available to satisfy flexible circuit design requirements.
- Supplied in plastic stick or tape reel for automated assembling.
- Custom designed circuits also available in 8, 14, 16, 18, and 20pin ceramic packages. Customer service will be advised.
- Industrial electronics, industrial instruments, automatic testing, high-speed digital data transmission, intelligent hubs and routers, and data switching.



	A	B	C	D	E	F	G	H
MC8	5.5+/-0.2	5.3+/-0.2	2.3max	8.0+/-0.2	1.27+/-0.2	0.4+/-0.05	0.2+/-0.1	0.3min
MC16	10.5+/-0.2	5.3+/-0.2	2.3max	8.0+/-0.2	1.27+/-0.2	0.4+/-0.05	0.2+/-0.1	0.3min

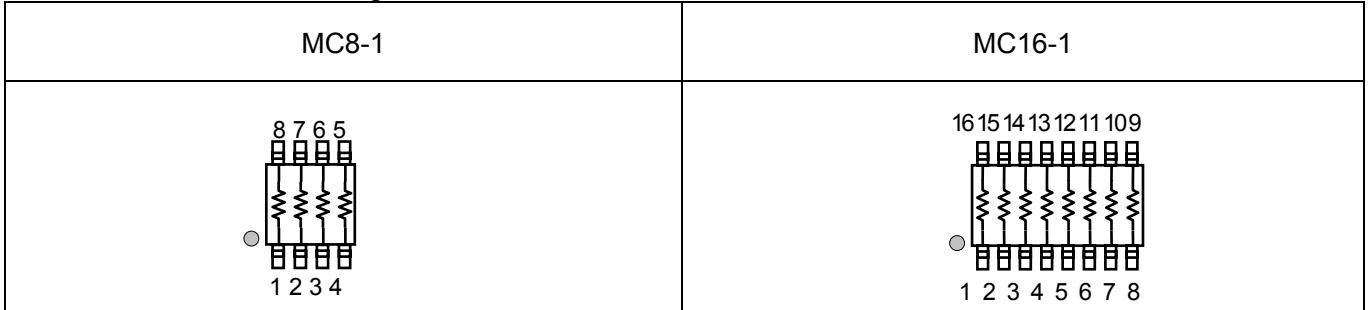
Ordering Information

P/N	Type	Schematic	TCR	Resistance	Tolerance	Additional (Note)
MC8-1Z10KohmA000	MC8	-1	Z	10Kohm	A	000(Bulk)
MC8-1Z1KohmA003	MC8	-1	Z	1Kohm	A	003(Stick)
MC16-1Z10KohmA003	MC16	-1	Z	100ohm	A	003(Stick)
MC16-1Z5KohmA000	MC16	-1	Z	5Kohm	A	000(Bulk)

SOP RESISTOR NETWORKS

MC8, MC16

Schematics and Pin Configuration

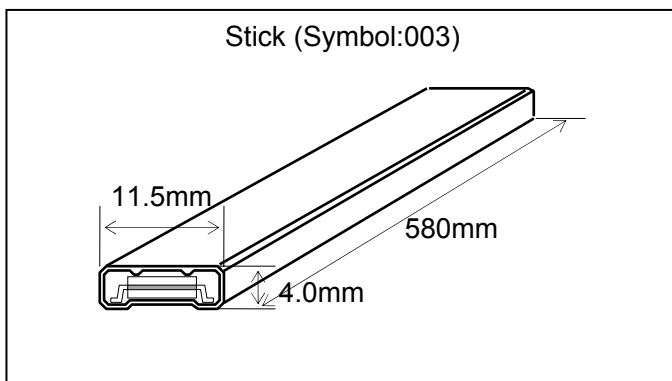


Performances

Type	MC8-1	MC16-1
Resistance Range (ohm)	100-22K	100-22K
TC Tracking	1ppm/K	1ppm/K
Ratio	0.01%	0.01%
TC-Absolute	+/-5ppm/K(Z)	+/-5ppm/K(Z)
Tolerance-Absolute	+/-0.05% (A), +/-0.1% (B)	+/-0.05% (A), +/-0.1% (B)
Rating Power/Resistor	100mW	100mW
Rating Power/Package	0.4W	1W
Max. Operating Volt.	$\sqrt{P \cdot R}$ or 100V	
Rating Temp.	+75 deg C	
Operating Temp. Range	-55 deg C to +120 deg C	
Storage Temp. Range	-55 deg C to +120 deg C	

Electrical Specifications

Items	Specifications	Conditions
Short Time Overload	+/- (0.05%) absolute	2.5 times rating power, 5 seconds
Insulation Resistance	>10,000Mohm	
Withstand Voltage	+/- (0.05%) absolute	100V, 60 seconds
Heat Shock	+/- (0.1%) absolute	5 cycles for temp. -65, +25, +125, +25 C
Soldering Heat	+/- (0.05%) absolute	350 C, 3 seconds
Solder ability	Covered 95% area	230 C, 3 seconds
Solvent	No mechanical damage	
Humidity	+/- (0.1%) absolute	40 C, 90-95RH, 90min.ON, 30minOFF, 1000hours
Load Life	+/- (0.1%) absolute	70 C, 90min.ON, 30minOFF, 1000hours



Note:

In P/N definition, additional 3 digits code shows packaging method. Third digit "0" shows bulk and "3" shows stick packaging.

MC8 and MC16 are not RoHS compliance parts. When you have any question, please mail to: sales@nikkohm.com.